

SI-XL

Scale Inhibitor System



Protect expensive equipment from lime scale and reduce maintenance costs by pairing a VIZION™ brand ultrafiltration system with the Scale Inhibitor System SI-XL.

Lime scale is one of the most significant maintenance problems for foodservice establishments and homes. Paired with a VIZION ultrafiltration system, the SI-XL effectively protects ice machines from lime scale buildup.

VIZION™ ultrafiltration systems reduce almost all suspended particles as small as .015 microns, leaving virtually no sites for calcium to collect on. The SI-XL is a unique composition blend that inhibits the lime scale caused by the hard water minerals left behind. This system also controls staining caused by the precipitation of iron and manganese.

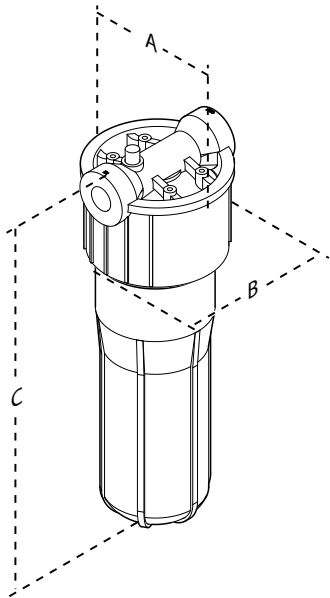
Features

- Patented anti-scale dispensing system.
- Reduces scaling on ice machines.
- Controls staining from iron and manganese.



SI-XL Scale Inhibitor System

Dimensions



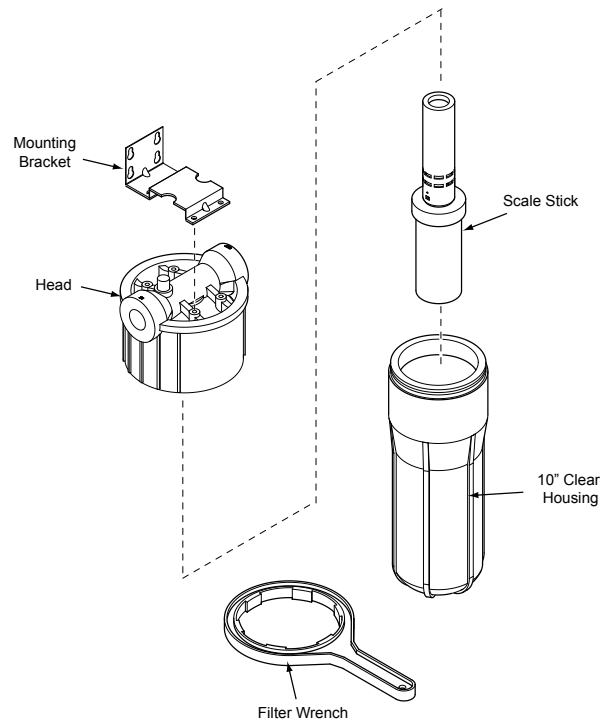
Model & Mfg. No.	Width (A)	Depth (B)	Height* (C)	Operating Weight
SI-XL (Clear Bowl) 9700901	5 3/8" (14 cm)	5 1/4" (13 cm)	14" (36 cm)	10 lbs. (4.54 kg)
SI-XL (Blue Bowl) 9700902	5 3/8" (14 cm)	5 1/4" (13 cm)	14" (36 cm)	10 lbs. (4.54 kg)

*Height with Mounting Bracket is 16"

Shipping Dimensions

Model & Mfg. No.	Length	Width	Height	Weight
SI-XL 9700901 9700902	17" (43 cm)	12" (30 cm)	18" (46 cm)	8 lbs. (3.6 kg)

Components



Scale Inhibitor System includes Scale Stick, 10" Scale Stick Clear Housing, Head, Mounting Bracket, and Filter Wrench.