



The Legacy Companies  
 3355 Enterprise Avenue, Suite 160, Fort Lauderdale, FL 33331  
 Sales: (954) 202-7419 • Sales@TheLegacyCompanies.com

Project Name: \_\_\_\_\_  
 Location: \_\_\_\_\_  
 Item #: \_\_\_\_\_ Qty: \_\_\_\_\_  
 Model: \_\_\_\_\_

## DD-80V / DD-80-PM

### PLANETARY MIXER- 80 QUART FLOOR MODEL

The Blakeslee DD Series mixers have a heavy-duty transmission with positive drive and a planetary mixing action to insure the uniform and complete mixing of all ingredients. Power is transmitted to the planetary gear through specially designed spiral-beveled gears. An exclusive inter-locking system prevents accidental starting of the mixer when speed selection is in the neutral position. DD Series mixers are ideal for a wide range of uses including pizza operations, commercial bakeries and regular kitchen operation.

#### FEATURES

- 2 or 4 speed transmission
- Adjustable Automatic Timer. For timed or continuous runs.
  - 0 to 5, 0 to 15, 0 to 30 minutes timing ranges.
  - 0 to 15 timer, standard, unless otherwise specified.
- Front Mounted No. 12 Auxiliary Drive
- Stainless Steel Bowl Guard
- Easy to use and clean

#### TRANSMISSION

- Heavy duty transmission of hardened alloy steel
- Unique electro-mechanical inter-lock disconnects power if speed selector is moved while mixer is running
- Gears and transmission protected with synthetic lubricant

- DD-80V 4 speed transmission
- DD-80-PM 2 speed transmission

#### SPEED

- Operating speed can be changed during operation without having to stop mixer

- DD-80V 4 Speed transmission

SPEED	AGITATOR (RPM)	AUXILIARY DRIVE SPEED (RPM)
FIRST	55	105
SECOND	100	190
THIRD	175	300
FOURTH	315	575

- DD-80-PM 2 Speed transmission

SPEED	AGITATOR (RPM)	AUXILIARY DRIVE SPEED (RPM)
FIRST	55	105
SECOND	100	190

#### MOTOR

- 3 HP Invertor-duty motor
- Ball bearing, grease packed, ventilated motor mounted in drip-proof enclosure

#### SWITCH

- East to access motor overload reset button
- Start-Stop button rated NEMA 4

#### FINISH

- Powder coated enamel finish or Polished stainless steel
- Silver gray is standard
- Deluxe Stainless Steel is optional
- Easy to clean



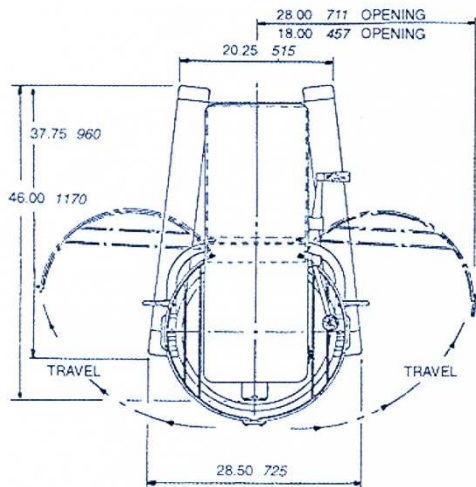
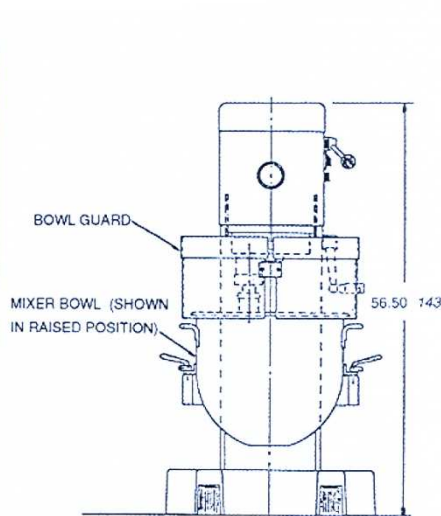
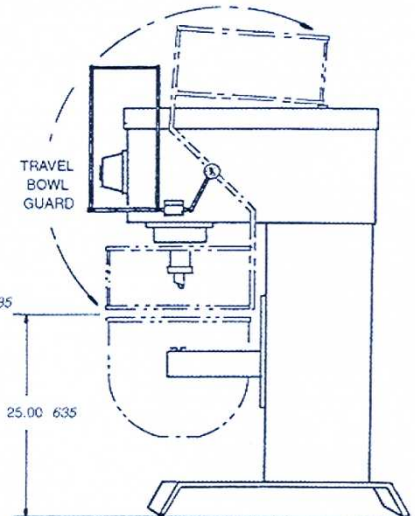
#### STANDARD EQUIPMENT

- Stainless steel bowl
- Type B Bowl guard
- "B" Batter Beater
- "W" Wire Whip
- "H" Dough Hook
- Automatic timer
- Accessory attachment hub

#### OPTIONAL EQUIPMENT

- "PK" Pastry Knife
- "SD" Sweet Dough Beater
- "M" 4-Wing Whip
- "SH" Spiral Dough Hook
- Shredder Plates (4 sizes)
- Bowl Scraper
- Food / Meat Chopper
- Type "A" Bowl Guard
- 9" Vegetable Slicer w/ Hopper Front
- Bowl Extension Ring
- Splash Cover
- Bowl Truck

Due to periodic changes in designs, methods, procedures, policies and regulations, the specifications contained in this sheet are subject to change without notice. While we exercise good faith efforts to provide information that is accurate, we are not responsible for errors or omissions in information provided or conclusions reached as a result of using the specifications. By using the information provided, the user assumes all risks in connection with such use.

**PLANETARY MIXER- 80 QUART FLOOR MODEL**

**CLEARANCE DIMENSIONS FOR TYPE "A" BOWL GUARD**

**SHOWN WITH TYPE "A" BOWL GUARD**

**SHOWN WITH TYPE "B" BOWL GUARD**

- |  |   |   |  |   |   |
|--|---|---|--|---|---|
|  |   |   |  |   |   |
| <b>"SH"</b><br><b>SPIRAL DOUGH HOOK</b><br>for pizza, white bread, rye, etc. and for heavy doughs, such as noodles, pretzels, Italian bread. | <b>"PK"</b><br><b>PASTRY KNIFE</b><br>for cutting flour and shortening together (in pie doughs, patty shells, etc.) | <b>"B"</b><br><b>BATTER BEATER</b><br>for mashing potatoes, cake and pancake batters. | <b>"W"</b><br><b>WIRE WHIP</b><br>for whipping cream, beating eggs, meringues, mayonnaise, etc. and for whipping milk or cream into mashed potatoes. | <b>"SD"</b><br><b>SWEET DOUGH BEATER</b><br>for mixing sweet yeast doughs, mince meat, doughnuts confections. | <b>"M"</b><br><b>4-WING WHIP</b><br>for marshmallow mayonnaise, heavy icings and for mashing potatoes |

<b>ELECTRICAL / AMPERAGE</b>	<b>3 HP</b>
208/240v/60hz/1ph	27 Amps
220/240v/60hz/3ph	15 Amps
440/480v/60hz/3ph	6 Amps

50 cycle motor optional

**APPROXIMATE SHIPPING SPECIFICATIONS**

MODEL	Domestic Carton	Export Crated	Export Boxed	Export Cubed	Shipping Dimensions
DD-80V	1100lbs / 500kg	1323lbs / 600kg	1400lbs / 635kg	86ft / 2.4m <sup>3</sup>	54"(137cm) x 40"(101cm) x 69"(175cm)
DD-80-PM	1100lbs / 500kg	1323lbs / 600kg	1400lbs / 635kg	86ft / 2.4m <sup>3</sup>	54"(137cm) x 40"(101cm) x 69"(175cm)