

- Sleek column with contemporary styling.
- The draft tower is a marketing tool, not just a bar fixture.
- Exterior finish will provide years of durable service.
- All stainless steel contact with the beer for the ultimate in draft purity.



Stainless Steel
DS-143-PSSKR





PVD Brass
DS-243-PVDKR


Features

Faucet knobs not included.

 Tarnish Free
PVD Brass.

 Certified
by the National
Sanitation Foundation.

 Stainless Steel
beer contact for the pure
taste of fresh draft beer.

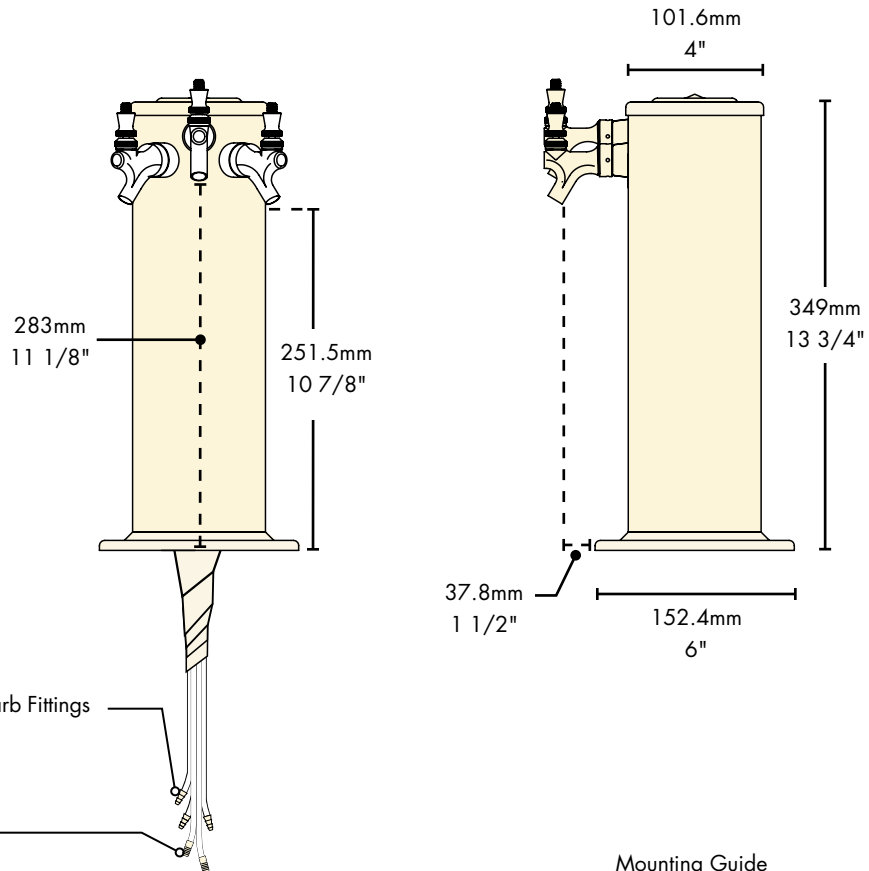
 The integrated Kool-Rite module provides
optimum cooling at the point of dispense.
Modular construction makes the installation
process as simple as PLUG "N" POUR.

Specifications

Part No.	Faucets	Finish	Dispense System	Shipping Weight	Box Dimensions
<input type="checkbox"/> DS-143-PSSKR*	3	Polished S/S	Kool-Rite (Glycol)	7 kg 15 lbs	1168mm L x 229mm W x 635 mm H 46"L x 9"W x 25"H
<input type="checkbox"/> DS-243-PVDKR*	3	PVD Brass	Kool-Rite (Glycol)	7 kg 15 lbs	1168mm L x 229mm W x 635 mm H 46"L x 9"W x 25"H

 Certified

Dimensions

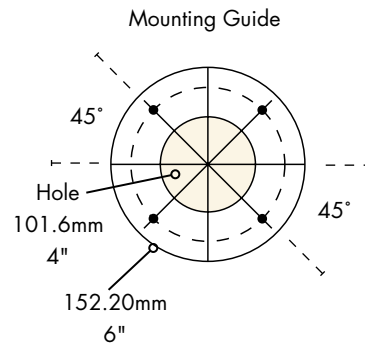
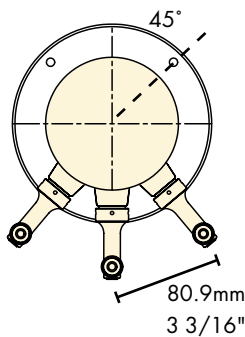


BEER:

6.4mm (1/4") O.D. Stainless Steel
with 7.94mm - 9.52mm (5/16" - 3/8") Barb Fittings

GLYCOL:

9.52mm (3/8") O.D. Copper
with 9.52mm (3/8") Barb Fittings



Copyright ©2011 Micro Matic USA, Inc. All Rights Reserved. 000219-D1008



www.micromatic.com

Toll Free: 1-(866) 327-4159

West	Central	Southeast	Northeast
19791 Bahama Street Northridge, CA 91324 Tel. (818) 701-9765 Fax. (818) 701-9844	10726 North Second Street Machesney Park, IL 61115 Tel. (815) 968-7557 Fax. (815) 968-0363	2364 Simon Court Brooksville, FL 34604 Tel. (352) 799-6331 Fax. (352) 796-2429	4601 Saucon Creek Road Center Valley, PA 18034 Tel. (610) 625-4464 Fax. (610) 625-4466