



4184 E. Conant St.
 Long Beach, CA 90808
 Tel. 800-500-3519
 Fax. 310-900-1066
 www.turboairinc.com

Project :

Model # :

Item # :

Qty :

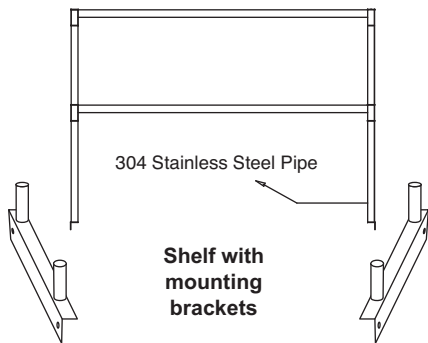
Available W/H :

Approval :

Double Overshelf

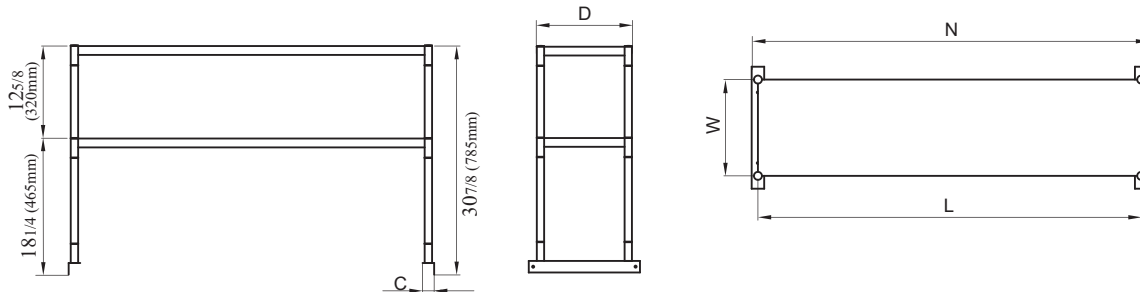
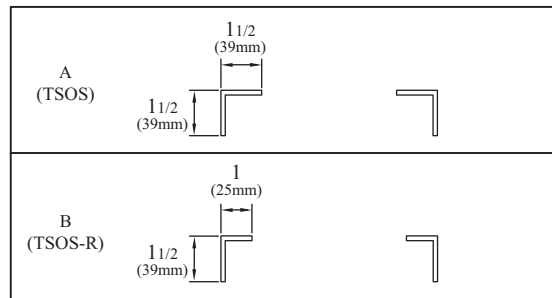
HIGH QUALITY 304 STAINLESS STEEL

Model : TSOS



Bracket Types

(Unit : inch)



Model	Ga.	N (in.)	L (in.)	D (in.)	W (in.)	H (in.)	C (in.)	Net Weight (lbs)	Loading Capacity Per Layer	
									kgs	lbs
TSOS-3	18	35 ⁷ / ₈	35	12 ³ / ₄	11 ³ / ₄	30 ⁷ / ₈	1 ⁵ / ₈	26	25	55
TSOS-3R	18	36 ³ / ₈	35 ³ / ₈	12 ³ / ₄	11 ³ / ₄	30 ⁷ / ₈	1	26	25	55
TSOS-4	18	47 ⁷ / ₈	47	12 ³ / ₄	11 ³ / ₄	30 ⁷ / ₈	1 ⁵ / ₈	30	20	44
TSOS-4R	18	48 ¹ / ₈	47 ¹ / ₄	12 ³ / ₄	11 ³ / ₄	30 ⁷ / ₈	1	30	20	44
TSOS-5	18	59 ⁷ / ₈	59	12 ³ / ₄	11 ³ / ₄	30 ⁷ / ₈	1 ⁵ / ₈	35	17	37
TSOS-5R	18	60 ¹ / ₄	59 ³ / ₈	12 ³ / ₄	11 ³ / ₄	30 ⁷ / ₈	1	35	17	37
TSOS-6	18	71 ⁷ / ₈	71	12 ³ / ₄	11 ³ / ₄	30 ⁷ / ₈	1 ⁵ / ₈	40	15	33
TSOS-6R	18	72 ¹ / ₂	71 ⁵ / ₈	12 ³ / ₄	11 ³ / ₄	30 ⁷ / ₈	1	40	15	33

Ver.20210618



*TSOS is not applicable to food prep tables: Flat lid prep + work station, Flat clear lid prep + work station, Dual sided lid, Glass lid, Slide lid (72" length only)