



Profit from the Eagle Advantage®

Specification Sheet

Short Form Specifications

Eagle 2200 Series Cocktail Workstation, model _____. Top, front, backsplash, and ice bin to be heavy gauge type 304 stainless steel. Fabricated ice bin is 8" deep, fully insulated, with 1½" drain. Unit furnished with stainless steel speed rail. Work board section to have 1½" drain in top. 1½" galvanized tubular legs with adjustable bullet feet.

Eagle 2200 Series Cocktail Workstation with Sealed-In Cold Plate, model _____. Top, front, backsplash, and ice bin to be heavy gauge type 304 stainless steel. Fabricated ice bin is 8" deep, fully insulated, with sealed-in 7-circuit cold plate and 1½" drain. 1½" O.D. galvanized tubular legs with adjustable bullet feet.



#CWS4-22R cocktail workstation

Options / Accessories

- Stainless steel leg kits
- Additional speed rail

Item No.:	_____
Project No.:	_____
S.I.S. No.:	_____

2200 Series Cocktail Workstations

MODELS:

- CWS4-22R
- CWS4-22L
- CWS5-22R
- CWS5-22L
- CWS4-22R-7
- CWS4-22L-7
- CWS5-22R-7
- CWS5-22L-7

Design and Construction Features

- Bullnose front edge.
- All type 304 stainless steel work surface.
- Fabricated ice bin is insulated, 8" (203mm) deep, 75-lb. (34 kg) ice capacity, and can be located either on left or right end of unit.
- Galvanized end panels, back and bottom.
- 24" (610mm) stainless steel speed rail.
- Leg fixtures are welded in place.
- Non-marking plastic bullet feet.
- 1½" (38mm) NPT drain with 1½" x 4" (38 x 102mm) tailpiece.

EAGLE GROUP

100 Industrial Boulevard, Clayton, DE 19938-8903 USA
 Phone: 302-653-3000 • 800-441-8440 • Fax: 302-653-2065
www.eaglegrp.com
www.eaglemhc.com

For custom configuration or fabrication needs, contact our **SpecFAB® Division**.
 Phone: 302-653-3000 • Fax: 302-653-2065 • e-mail: quotes@eaglegrp.com

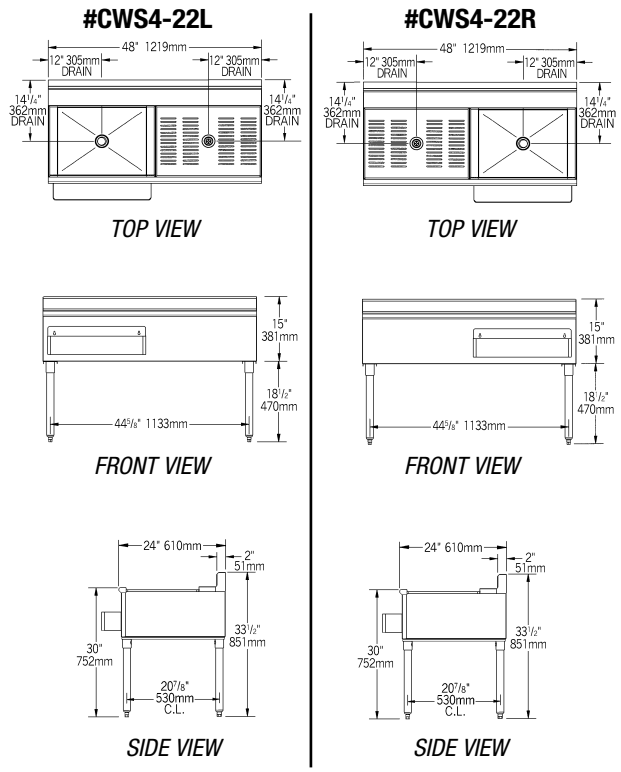




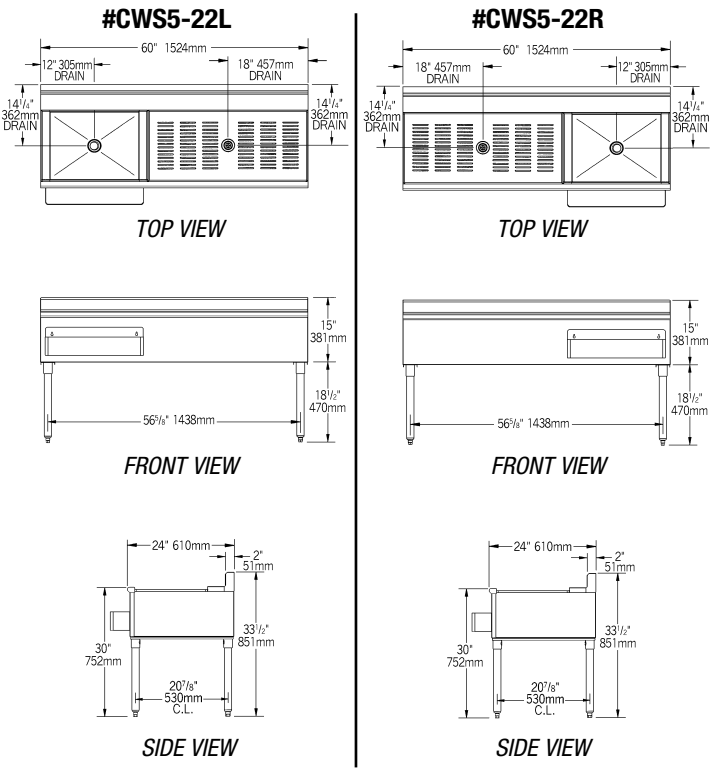
Item No.: _____
 Project No.: _____
 S.I.S. No.: _____

2200 Series Cocktail Workstations

4' (1219mm) Models



5' (1524mm) Models



model #	width in.	width mm	length in.	length mm	weight lbs.	weight kg
CWS4-22R	24"	610	48"	1219	65	29.5
CWS4-22L	24"	610	48"	1219	65	29.5
UNITS WITH COLD PLATE						
CWS4-22R-7	24"	610	48"	1219	95	43.1
CWS4-22L-7	24"	610	48"	1219	95	43.1

model #	width in.	width mm	length in.	length mm	weight lbs.	weight kg
CWS5-22R	24"	610	60"	1524	75	34.0
CWS5-22L	24"	610	60"	1524	75	34.0
UNITS WITH COLD PLATE						
CWS5-22R-7	24"	610	60"	1524	105	47.6
CWS5-22L-7	24"	610	60"	1524	105	47.6

Optional Stainless Steel Leg Kits

add suffix #	description
-SL	stainless steel leg assemblies
-SLF	stainless steel leg assemblies & stainless steel feet
-SLG	stainless steel leg assemblies & stainless steel gussets
-SLGF	stainless steel leg assemblies, stainless steel feet & gussets

EAGLE GROUP
 100 Industrial Boulevard, Clayton, DE 19938-8903 USA
 Phone: 302-653-3000 or 800-441-8440 • Fax: 302-653-2065
 www.eaglegrp.com • www.eaglehmc.com

Printed in U.S.A.
 ©2024 by Eagle Group
 Rev. 04/24

Spec sheets available for viewing, printing or downloading from our online literature library at our websites

Although every attempt has been made to ensure the accuracy of the information provided, we cannot be held responsible for typographical or printing errors. Information and specifications are subject to change without notice. Please confirm at time of order.