



www.BakeMax.com

Project: _____

Item: _____

Qty: _____ Date: _____

BakeMax BMSIE011 Mini Countertop Electric Ribbed Grill

The BakeMax Mini Electric Flat Top Ribbed Grill offers superior heating and ensures even heating over the entire cooking surface. The grill is thermostatically controlled for accuracy and can be heated up to 572°F. Plus, the cooking surface retains heat for optimal cooking. The internally mounted grease collection pan makes cleaning easier while the polished finish enhances its appearance.



Features:

- Stylish and Professional Design
- Completely Constructed of Easy-to-Clean Hygienic Stainless-Steel
- Easy to remove and install oil container
- Safety High Limit to Protect Operator
- Thermostatic Temperature Controls Capable of 122- 572°F (50-300°C)
- Stainless steel protection plate prevents oil splashing to the back and sides
- Wide Oil Drain Hole, waste generated during cooking easily flows into the oil container. The oil container can be easily removed from the front of the grill.
- 1-Year Limited Warranty



Intertek Intertek

Product Specifications:

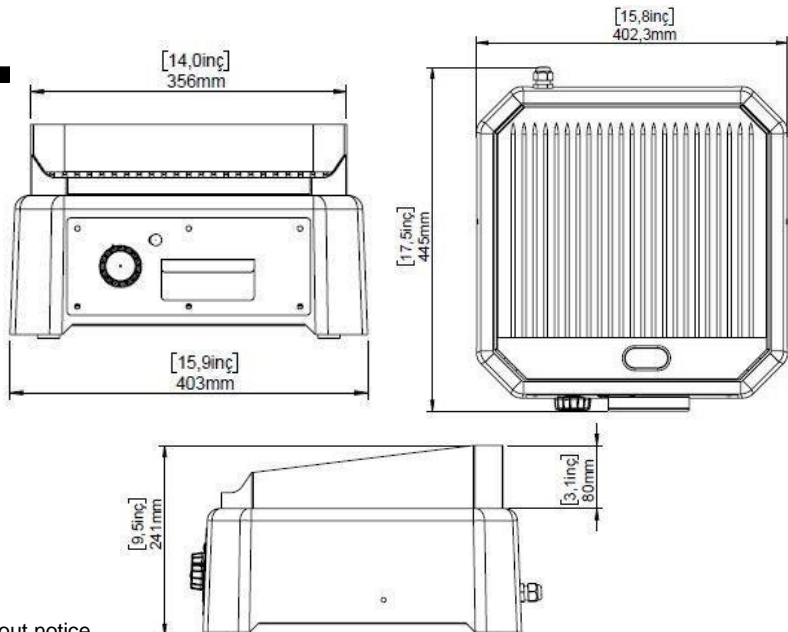
- Dimensions (WDH): 16" x 17.5" x 9.5"
- Weight: 33 lbs.

Shipping Specifications:

- Dimensions (WDH): 17" x 20" x 12"
- Weight: 36 lbs.

Electrical Specifications:

- 208V / 12A / 2500W / 60Hz / 1Ph



*Due to continuous product improvement, specifications are subject to change without notice.

BakeMax® / Titan Ventures International Inc.

Warehouses:

20 Caribou St, Moncton, NB E1H 0P3
 5705 Valley Belt Rd Independence, OH 44131
 1201 E 27th Terrace Pittsburg, KS 66762

Toll Free: 1-800-565-BAKE (2253)

Phone: 506-858-8990

Fax: 506- 859-6929

Email: Sales@BakeMax.com