



PROJECT _____

ITEM NO: _____

QUANTITY: _____

Stainless Steel Work Tables With Backsplash

Open Base With Cross-Bars And 5" Backsplash

FEATURES & CONSTRUCTION:

- Top is fabricated with 1-1/2" rounded front edge, flat edge on both ends and 45° slanted 5" backsplash.
- Table front edge formed with hemmed edge to provide extra rigidity and safe to touch finish.
- Reinforced table top with two sound deadening hat channels. Note: Three hat channels on 30" deep tables.
- All exposed welded areas smooth polished to brush finish sanitary #4.
- Adjustable cross-bars secured to legs with aluminum die cast fittings for added stability.
- Welded leg sockets with two point leg fastening.
- All tables shipped K.D., but easily assembled.



NSF STD.2
Certified



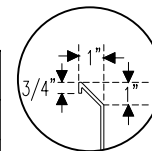
* 84" tables and longer come with 6 legs

Galvanized Steel Leg Set Series

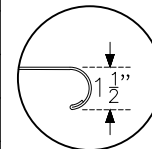
W	24"	30"
L	MODEL NO.	
24"	SMTOB-2424G	
30"	SMTOB-2430G	SMTOB-3030G
36"	SMTOB-2436G	SMTOB-3036G
48"	SMTOB-2448G	SMTOB-3048G
60"	SMTOB-2460G	SMTOB-3060G
72"	SMTOB-2472G	SMTOB-3072G
84"	SMTOB-2484G	SMTOB-3084G
96"	SMTOB-2496G	SMTOB-3096G
108"	SMTOB-24108G	SMTOB-30108G
120"	SMTOB-24120G	SMTOB-30120G

Stainless Steel Leg Set Series

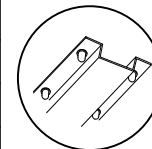
W	24"	30"
L	MODEL NO.	
24"	SMTOB-2424S	
30"	SMTOB-2430S	SMTOB-3030S
36"	SMTOB-2436S	SMTOB-3036S
48"	SMTOB-2448S	SMTOB-3048S
60"	SMTOB-2460S	SMTOB-3060S
72"	SMTOB-2472S	SMTOB-3072S
84"	SMTOB-2484S	SMTOB-3084S
96"	SMTOB-2496S	SMTOB-3096S
108"	SMTOB-24108S	SMTOB-30108S
120"	SMTOB-24120S	SMTOB-30120S



45° Slanted
5" Backsplash



Rolled Rim
Front Edge
Reinforced with
Hemmed Edge



Two (three on 30" deep) Hat Channel Reinforced Top. Attached to Underside of Top via Studs Welded to Underside of Top, Adhesive and Stainless Steel Acorn Nuts.



Aluminum Die Cast Fitting For Adjustable Cross-Bar



1" Adjustable
Bullet Feet

MATERIAL:

Top: 18 Ga. Stainless Steel - 400 series
 Hat Channel: Galvanized Steel
 Cross-Bar: 1-1/4" Galvanized Steel Tubing
 Leg: 1-5/8" Galvanized Steel Tubing and Leg Socket with 1" Adjustable Plastic Bullet Feet

MATERIAL:

Top: 18 Ga. Stainless Steel - 400 series
 Hat Channel: Stainless Steel
 Cross-Bar: 1-1/4" Stainless Steel Tubing
 Leg: 1-5/8" Stainless Steel Tubing and Leg Socket with 1" adjustable Stainless Steel Bullet Feet



Rev. 01/21

SAPPHIRE MANUFACTURING
 Tel: 718-543-2111
 Fax: 718-543-2121

info@sapphiremanufacturing.com
 WWW.SAPPHIREMANUFACTURING.COM



PROJECT

ITEM NO:

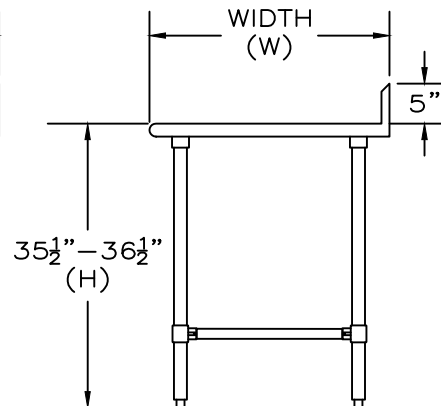
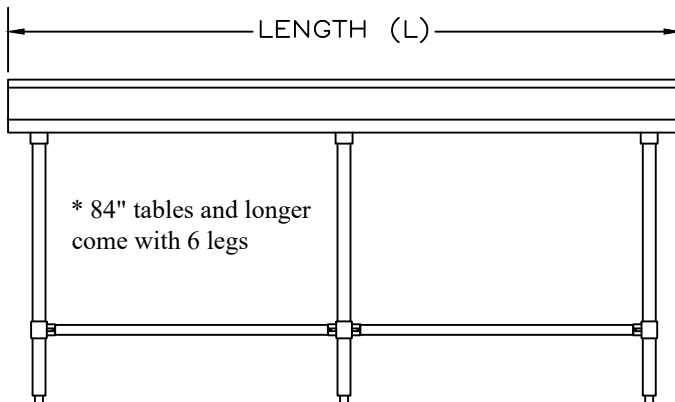
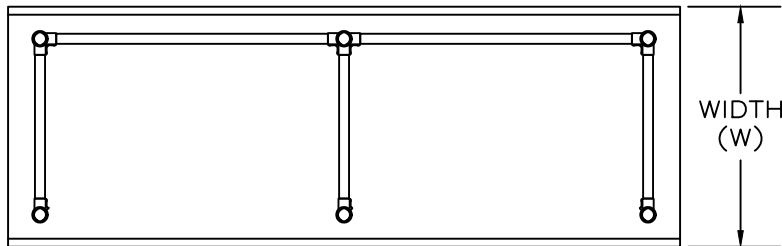
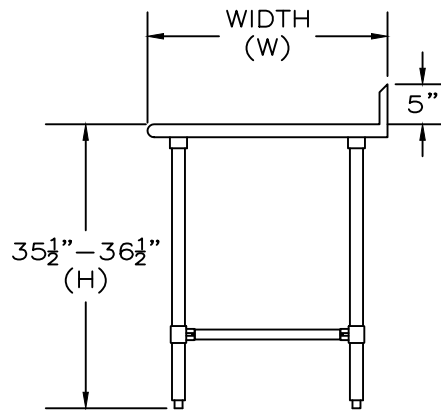
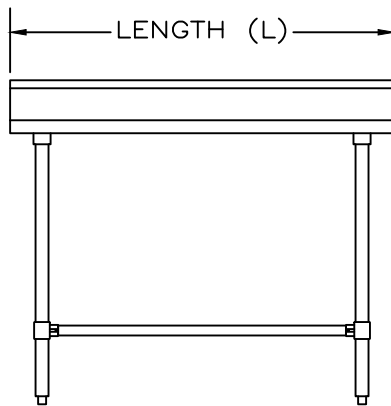
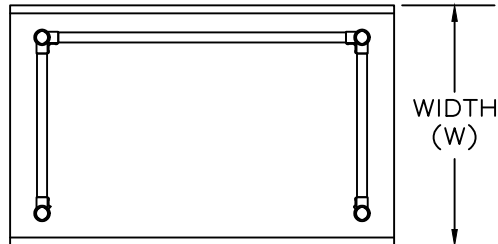
QUANTITY:

Stainless Steel Work Tables With Backsplash

Open Base With Cross-Bars And 5" Backsplash



NSF STD.2
Certified



Specifications subject to change without notice. All dimensions are typical (Tolerance 1/2").



Rev. 01/21

SAPPHIRE MANUFACTURING
Tel: 718-543-2111
Fax: 718-543-2121

info@sapphiremanufacturing.com
WWW.SAPPHIREMANUFACTURING.COM