

Champion®

The Dishwashing Machine Specialists

PROJECT: _____

ITEM # _____ QTY: _____

MODEL # _____

AIA # _____ SIS # _____

DH6000T

HIGH TEMPERATURE DOOR MACHINE EXTENDED HOOD-TYPE



Rendered image is for general visual representation only. Please refer to specifications for the latest detailed product information.

OPTIONS & ACCESSORIES

- Built-in detergent and rinse aid pumps
- Drain water tampering Kit (mounted)
- Ventless/Heat Recovery/Condensate Removal Option
- Racks (Peg, Flat, Sheetpan)
- Corner operation splash baffle
- Champion ION scale prevention system
- Built-In booster configured to ensure 180° rinse
- Water hammer kit (unmounted)
- Pumped drain
- Dual point electrical connection
- Door interlock

STANDARD FEATURES

- **27" Extended Hood Clearance**
- **Advanced Touchscreen Display**
intuitive condition alerts, with multi-lingual user-friendly cleaning and operational guidance
- **Enhanced Visual On-Board Diagnostics**
quickly identify machine faults for rapid resolution and less downtime
- **Energy Saving Programmable Sleep Mode**
heaters power down after user determined period of inactivity
- **Rinse Sentry**
extends wash cycle until booster reaches optimal sanitization temperature before final rinsing process
- **60 Racks Per Hour**
- **0.73 Gallons Per Rack**
- **Factory Authorized Startup**
- **Field Convertible Electrical**
ability to convert from three phase to single phase incoming power
- **Automated Delime Function**
customizable alert intervals based on site water quality
- **Field Convertible Feed Orientation**
configurable for front load, corner installation, and pass through
- **NSF Dual Rated**
conforms to NSF standards for stationary rack dish machine and pot and pan machine
- **Auto Start**
machine automatically starts selected wash cycle when door is closed
- **High Efficiency 2 HP Wash Pump**
- **Automatic Drain Valve**
heavy duty, gear driven full port ball valve stainless and brass construction
- **Vent Fan, Detergent, And Rinse Aid Signal Provided**
- **Four User Selectable Wash Cycles**
users can select 1, 2, 4, and 6 minute wash cycles depending on soil load
- **Cycle Counter**
records number of cycles machine has run since installation
- **Energy Star Certified**

HIGH TEMPERATURE DOOR MACHINE EXTENDED HOOD-TYPE

SPECIFIER STATEMENT

Specified unit will be Champion model DH-6000T high temperature, high-hood type dishwashing machine. Features, electronic controls, Rinse Sentry, Auto start, interchangeable stainless steel wash and rinse arms, up to 60 racks/hr, 0.73 US gals [2.76 liters, 0.61 imp. gals]/rack.

1 Year parts and labor warranty.



In the USA:

3765 Champion Blvd, Winston-Salem, NC 27105
Tel: (336) 661-1556 Fax: (336) 661-1979
www.championindustries.com

In Canada:

2674 N. Service Rd., Jordan Station, Ontario, Canada LORISO
Tel: (905) 562-4195 Fax: (905) 562-4618
www.championindustries.com/1canada

Champion®

The Dishwashing Machine Specialists

DH6000T

HIGH TEMPERATURE DOOR MACHINE EXTENDED HOOD-TYPE

Shipping weight crated: 300 lbs. Dimensions shown in inches

SPECIFICATIONS

Capacities

Racks per hr. (NSF rated) 60
Wash tank (gal.) 10

Motor Horsepower

2 HP

Water Consumption

Gal. per hr. (max. use) 39
Gal. per rack 0.73

Temperature °F

Wash 150
Rinse 180

Heating

Tank heat, electric 5.2 kW
Electric Booster 7.5 kW

Selectable cycle times in minutes	Dish-washer Mode		Pot & Pan Mode	
	1	2	4	6
Time cycles in seconds				
Wash	36	94	214	334
Rinse	8	10	10	10
Sanitary Dwell	16	16	16	16
Total	60	120	240	360

Machine & Built-in Booster (Standard)

Elec. Specs	Rated Amps	Minimum Supply Ckt. Conductor Ampacity	Maximum Overcurrent Protective Device
208/60/1	72-81	100	100
208/60/3	48-50	60	60
480/60/3	21	30	30

Machine Only (two point electrical connection or no built-in booster)

Elec. Specs	Rated Amps	Minimum Supply Ckt. Conductor Ampacity	Maximum Overcurrent Protective Device
208/60/1	36-39	50	50
208/60/3	27-26	30	30
480/60/3	10	15	15

Booster Only (two point electrical connection or no built-in booster)

Elec. Specs	Rated Amps	Minimum Supply Ckt. Conductor Ampacity	Maximum Overcurrent Protective Device
208/60/1	36-42	50	50
208/60/3	21-24	30	30
480/60/3	11	15	15

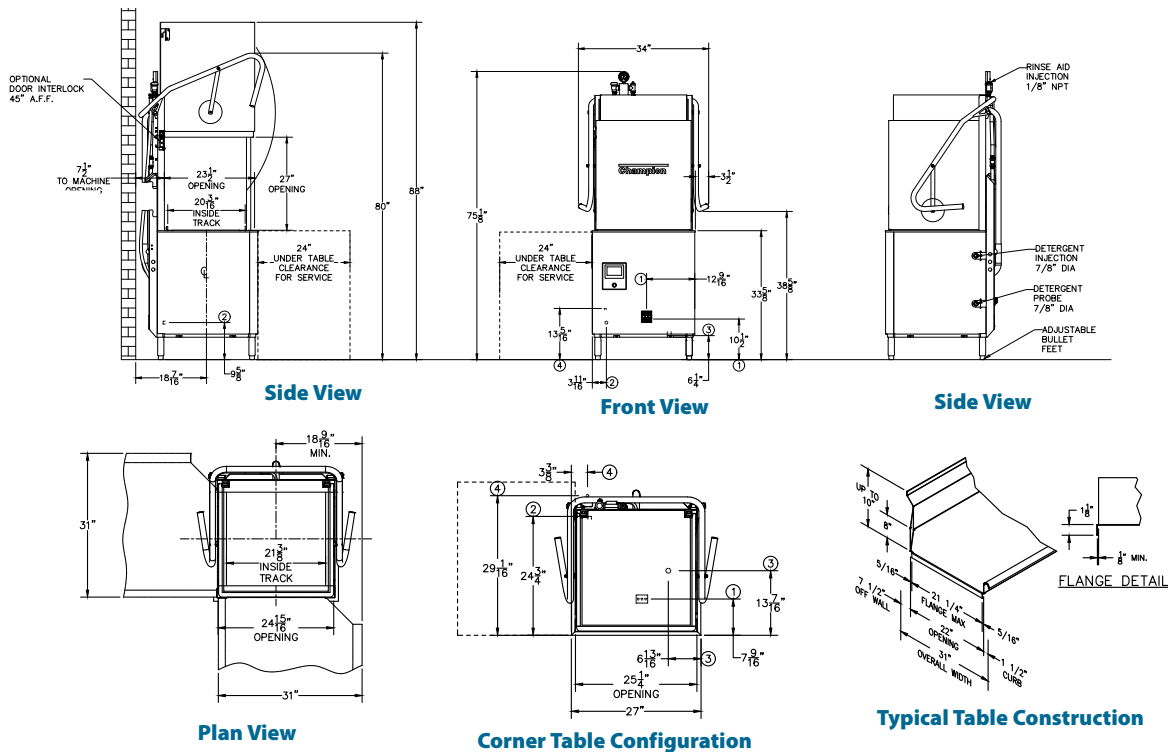
Note: Water Hammer Arrestor (meeting ASSE-1010 standard or equivalent) to be supplied (by others) in common water supply line at service connection. Recommended water hardness to be 3 grains or less for optimal performance results.

Utilities

- Electrical**
Machine Connection (see electrical box)
- Hot Water**
3/4" NPT Hot Water 110° - 140°F
45 PSI dynamic min. incoming
Final rinse 18 PSI
- Drain**
1" NPT Connection Gravity flow
15 Drain Max Flow Rate (g/min)
- Drain Water Tempering**
1/2" Cold water line with customer supplied cut-off valve (optional)
- Integrated Detergent System**
Detergent bottle supply connections (optional)

Warning: Plumbing, electrical connections should be made by qualified personnel who will observe all the applicable plumbing, sanitary and safety codes and the National Electrical Code.

Note: Optional Drain Tempering: 3/4" NPT cold water connection required. 3/4" NPT drain connection from back flow preventer to house drain. (FIELD INSTALLED and PLUMBED).



In the USA: 3765 Champion Blvd, Winston-Salem, NC 27105 | Tel: (336) 661-1556 Fax: (336) 661-1979 | www.championindustries.com

In Canada: 2674 N. Service Rd., Jordan Station, Ontario, Canada LOR1S0 | Tel: (905) 562-4195 Fax: (905) 562-4618 | www.championindustries.com/1canada

Rev. 11/2024 Printed in U.S.A.

Due to an ongoing value analysis program at Champion, specifications contained in this catalog are subject to change without notice.