



VENTLESS TYPE DISHWASHER COP-174W HRS

**COP-174W HRS (Heat Recovery System)
Hood-type, Ventless, High-temperature Dishwasher**



*ENERGY SAVINGS

- EFFI WASH
- EFFI RINSE
- SOFT LIFT
- STAMPED PHILOSOPHY
- MULTI CONNECTION BOX
- SOFT START

QUICK VIEW	
Dimensions: W x D x H	24 3/4" x 29 1/2" x 75 1/2"
Weight (net/crated) lbs	250 / 274
Voltage	208-240V/1-3Ph/60Hz
Total power	12.77 - 18.76 KW
Wash pump	1 hp
Water Consumption Per Rack	0.53 gal.
Water Consumption Per Hour (Max)	21.2 gal.
Water Inlet temperature / pressure	41 - 77°F / 15 - 58 psi

SHORT DESCRIPTION

Fagor EVO Concept Plus dishwasher model COP-174W HRS is a high-temperature unit that sanitizes dishes with hot water instead of chemicals. The Concept Plus dishwashers have the following features: Effi Wash, Effi Rinse, Soft Start, Multi-tension, and Soft Lift counterbalanced hood systems. The heat recovery system (HRS) preheat the incoming water and condensate the vapor.

The unit is constructed with ANSI 304 stainless-steel, stamped design including wash tank, guides and control panel. IPX4 - Protection against water jets - control panel. Built-in detergent pump and rinse-aid dispenser. 17" clearance for ware. Corner or straight-through operations.

Each unit comes standard with one (1) flat rack, one (1) peg rack and one (1) cutlery container.

Fagor's Concept + range of dishwashers offer a highly efficient and effective washing and rinsing system, becoming the perfect solution for those locations with a low-pressure water network and high production requirements. They are made in durable stainless steel, with electromechanical components and simple digital controls for a user-friendly operation.

Production:

38 Racks per hour
Standard rack size 20" x 20"

Functions and Benefits

- **Effi Wash:** Optimized hydraulic system provides a strong mechanical action combined with the optimum clean water in the tank. Balanced power keeps the perfect sanitation temperature during the cycle of the wash..
- **Effi Rinse:** Built-in water pressure pump and air break system assuring the best sanitation result, with a linear 180°F full rinsing cycle. It also works with low input water pressure, fitting in installations that do not reach the minimum recommended.
- **Soft Start:** Wash-pump power control that prevents wares from damage at the beginning of the washing cycle while assuring a low noise level in your facility.
- **Digital Controls:** simple digital control panel for intuitive and user-friendly operation.

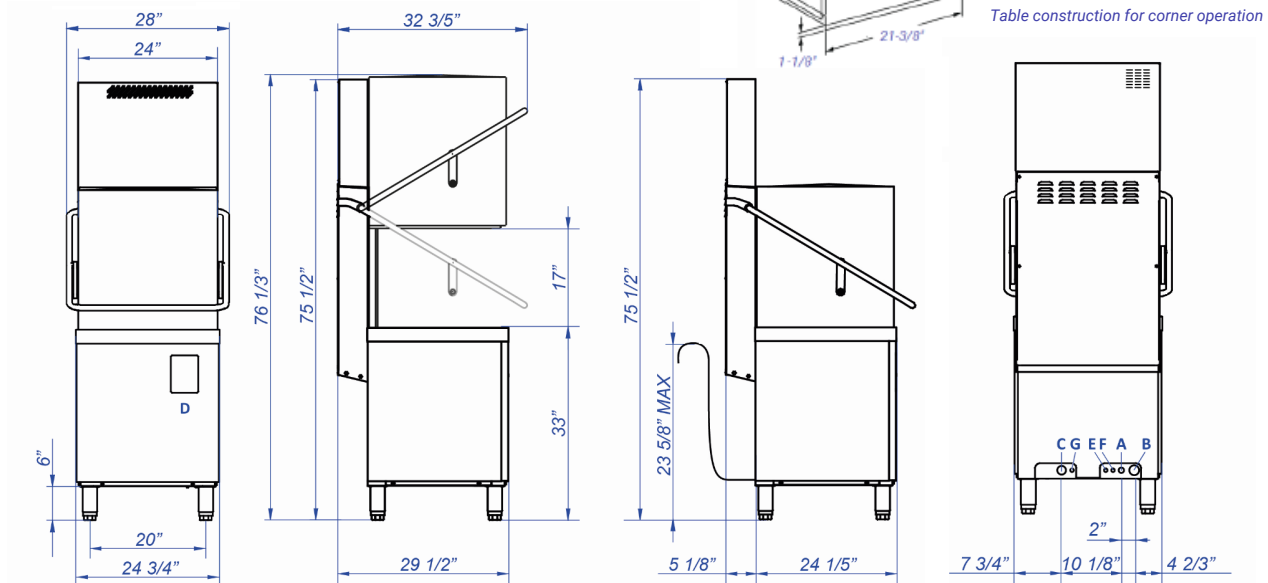
Construction

- **Vent-less, Heat-Recovery System:** Preheat the incoming water and condensate steam.
- **Stainless steel body structure with stamped design** (wash tank, rack guides, control panel), made to resist heavy usage.
- AISI-304 Stainless steel. Independent wash & rinsing arms, tray filters.
- Field adjustable **straight-through or corner** operations.
- Higher clearance: 17".
- Advance **soft-lift** counterbalanced system and magnetic switch for the hood.
- **IPX4** - Stronger protection against water hose cleaning and external humidity.
- **Multi-connection box:** Conveniently located electrical box for easy access that improves maintenance and allows for single or three phase and multi-tension connection in the field.
- Built-in **detergent and rinse aid dispenser.**
- Built-in **rinse pump.**

Accessories

- Racks for dishes, glasses and trays
- Cutlery containers
- Drain tempering valve





A	B	C	D	E	F	G
Water inlet *	Drain hose **	Power supply cable, strain relief	Connection Strip (Inside)	Rinse aid inlet	Detergent inlet	Equipotential bond ***
<p>* Water inlet: 3/4" female hose connector on 5' long flexible hose supplied with machine. Adaptor for 3/4" female garden hose fitting also supplied. 120°-140°F optimum water temperature; inlet water pressure 15 - 58 psi.</p> <p>** Drain 5' long, 1/2" I.D. flexible hose. Maximum 26 3/4" drain height permits indirect connection to drain pump.*** Protection from dangerous potential differences</p>						

SPECIFICATIONS	COP-174W	
Wash Cycles (seconds)	140/170/230	
Continuous cycle	•	
Electronic control panel and digital display	•	
Productivity (*)		
Racks/hour	38	
Dishes/hour	950	
Glasses/hour	1368	
Standard Rack size (inches)	19 3/4 x 19 3/4	
Weight (Net/Crated) lbs	351 / 382	
Dimensions		
Inches	Unit	Shipping
Width	24 3/4	30
Depth	29 1/2	35
Height	75 1/2	63
Useful Loading Height (clearance)	17 3/8	
Open Hood Height	76 1/3	
Capacity (gallons)		
Wash Tank	8.70	
Boiler	2.37	
Water consumption per cycle	0.53	

SPECIFICATIONS	COP-174W		
Wash pump motor (HP)	1		
Power (kW)			
Tank heating element	3.27 - 4.29		
Boiler/Booster heating element	8.71 / 13.07		
Wash pump(s)	3.31		
Rinse pressure pump	0.26		
Total power	12.77 - 18.76		
Working Temperature (°F)			
Washing	150		
Rinsing	180		
AMP for 60 Hz			
Volts	1 Phase (2/3 Power)	3 Phase (Full Power)	
208	46.12	40.33	
220	48.78	42.65	
240	53.22	46.53	
Water Protection Rating	IPX4		
Noise level (dBA)	<65		
Detergent & water pump	•		

(*) Assumed 25 dishes and 36 glasses per rack

The manufacturer reserves the rights to modify materials and specifications without notice.