



Project Name: _____

Location: _____

Item #: _____

Qty: _____

Adcraft Dual Tank Electric Deep Fryer, 20 lb Capacity, in Stainless Steel

DF6L2S



Enhance your kitchen's frying capabilities with the Adcraft Dual Tank Electric Deep Fryer, crafted for consistent performance in demanding environments. Made from SUS430 and SUS304 stainless steel, it promises durability and resilience. Each tank holds up to 10 lbs of oil, accommodating various frying needs. The fryer operates within a temperature range of 160° to 370°F, ensuring precision cooking. Manual ignition and thermostatic control simplify operation, while its design allows for easy cleaning and maintenance.

Features and Construction

- Crafted from SUS430 and SUS304 stainless steel for durability
- Operates at 120V with a NEMA 5-15P plug type
- Features a powerful 1750-watt heating element per tank
- Accommodates up to 10 lbs of oil per tank
- Freestanding design with sturdy feet is ideal for countertop use
- Designed for electric use, enhancing energy efficiency
- Manual ignition with thermostatic control for precision
- Temperature range from 160° to 370°F
- Dimensions are 21.6"L x 16"W x 11"H
- Covered by the Adcraft One-Year Limited Warranty

Lids (not pictured) are included.

Electric

120V / 1750W per tank / 14.5A per tank
Cord Length (Inches): 59"
Plug Type: NEMA 5-15P
Cord set included

NEMA 5-15P



3rd Party Approvals



Warranty (USA Only)

Protected by Admiral Craft Equipment Corporation's one-year limited warranty.

Contact Admiral Craft Equipment for details at 1-877-672-7740



Included Components

2 Covers, 2 Fryer Baskets, Tank

Capacity

Pounds: 10 lbs. of oil per tank

Temperature

Temperature Range (Fahrenheit): 160° - 370°

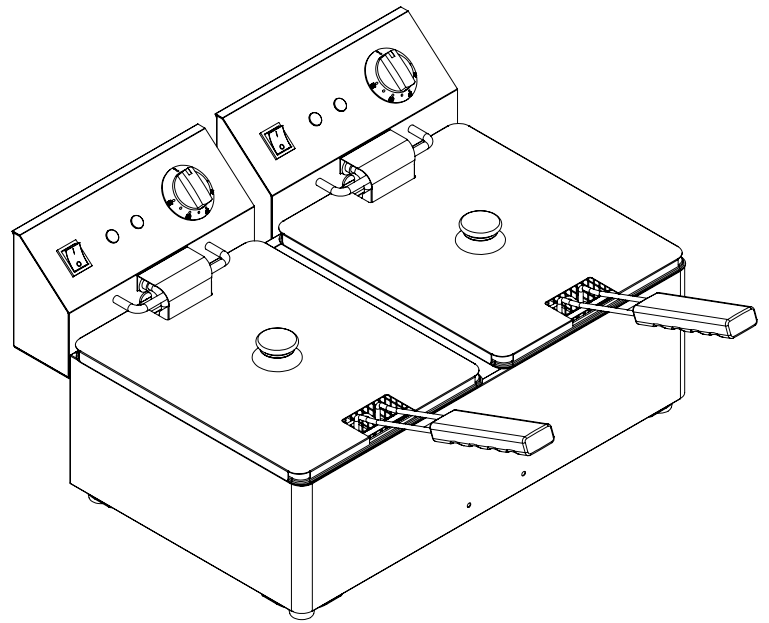
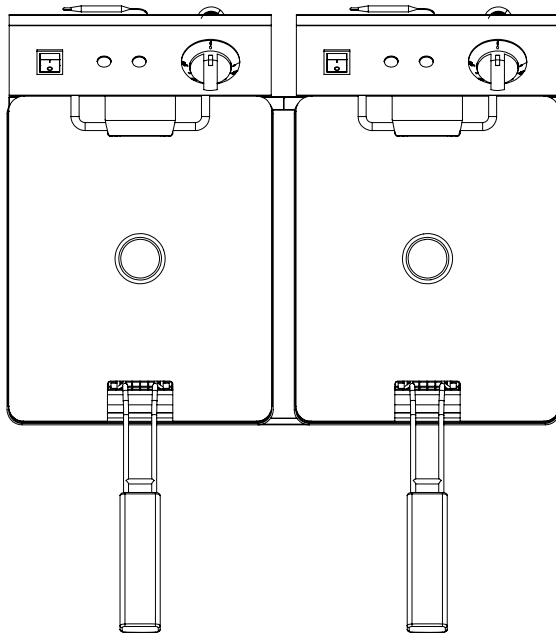
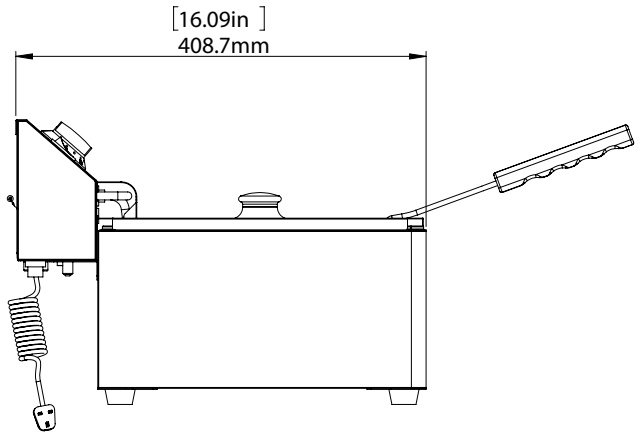
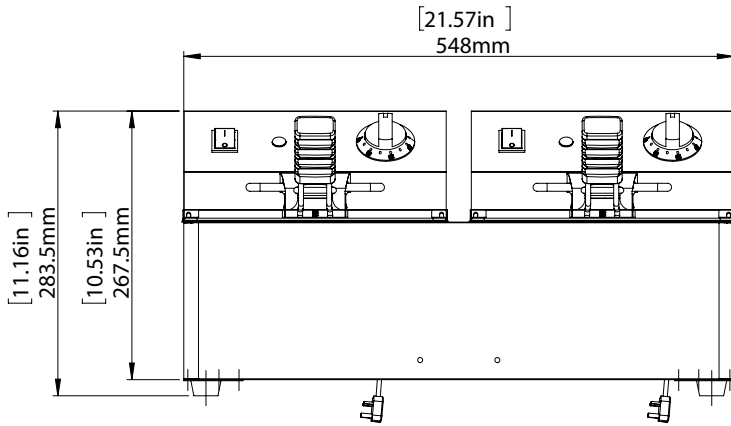


Adcraft Dual Tank Electric Deep Fryer, 20 lb Capacity, in Stainless Steel

DF6L2S

FRONT

SIDE



TOP

Electric

| Control Type | Oil Capacity (lbs) | Volume Capacity | Assembled Dimensions L x W x H (in) | Package Dimensions L x W x H (in) | Item Weight (lb) | Shipping Weight (lb) |
|--------------|-------------------------|--------------------|-------------------------------------|-----------------------------------|------------------|----------------------|
| Thermostatic | 10 lbs. of oil per tank | 6L of oil per tank | 21.60" x 12.00" x 11.00" | 24.4" x 18" x 13" | 10.0 | 12.0 |

Due to periodic changes in designs, methods, procedures, policies and regulations, the specifications contained in this document are subject to change without notice. While we exercise good faith efforts to provide information that is accurate, we are not responsible for errors or omissions in information provided or conclusions reached as a result of using the specifications. By using the information provided, the user assumes all risks in connection with such use.