

Project: \_\_\_\_\_ Location: \_\_\_\_\_ Item #: \_\_\_\_\_ Quantity: \_\_\_\_\_

## Standard Features

- 316 stainless kettle liner (up to 40 gallon, 304 40+ gallon)
- 304 stainless kettle jacket
- Kettle Protection System
- Thermostat temperature control, 150°F-260°F
  - Pressure relief valve
  - Air eliminator valve
  - Pressure gauge
  - Jacket-water fill and sight glass
  - Automatic low water cutoff and indicator light
  - Safety pilot control
- Full body insulation (3" - 14") between kettle jacket and outer casing
- Electronic ignition, 120V standard
- 304 stainless outer casing seam welded to the 3" reinforced radius lip
- 304 stainless, seam welded control console
- 304 stainless, reinforced gear box
- 304 stainless, seam welded tubular frame construction
- Self-locking, permanently lubricated, single reduction worm gear case
- Adjustable flanged feet

## Optional Features

- Single or dual faucet with bracket & 12" or 18" swing nozzle\*
- 60" flexible spray hose assembly (vinyl or stainless) for dual or single faucet\*
- Faucet bracket (ALFBT)
- Automatic water filling meter (ALAC-WS)
- Mixer/agitator, two speed (Call for pricing)
- Correctional Package\*
- 316 liner (AL316LNR)

\* Call AccuTemp for additional information

## Electrical Options

120V, 208V, 240V

## Short Spec

AccuTemp Edge Series gas powered tilting kettle, full jacketed, model ALTLGB-XX (20-60 gallon capacity). Seamless deep-drawn 316 kettle liner (up to 40 gallon, 304 40+ gallon) with integrally formed radius lip and 304 stainless steel kettle jacket, pressure relief valve, air eliminator valve, pressure gauge, jacket-water fill valve, automatic low water cut off and indicator. Self-locking worm gear tilt mechanism, 2" tubular support frame. Tilting cut-off switch. Seam welded control console with thermostat temperature control, 150°F to 260°F (65°C to 126°C). Adjustable flanged feet.



**Model ALTLGB-F**  
Shown with optional draw-off valve

## Other Approvals



## Accessories

- Care Kit (ALKCK-L)
- Electric timer with buzzer (ALAT)
- Gas quick disconnect 1/2"\*
- Flexible gas hose 1/6" x 60" (ALTQDH)
- Draw off drain hose (ALDIH)
- Disc strainer; solid or perforated, 1/8" or 1/4"\*
- Measuring strip (ALMS)
- Lift-off cover (ALLCT-S (5-25 gal) OR ALLCT-M (30-60 gal))
- One piece actuator-assisted lid, 20-60 gal. (ALACT-M)
- Single basket 20-40 gal. (ALSBI-M)
- Tri-basket insert (ALTBI-S)
- Nylon bag insert with spreader ring (ALNBI)
- Kettle Tools\*
- 2" or 3" draw off valve, compression or ball type fitting\*

\* Call AccuTemp for additional information

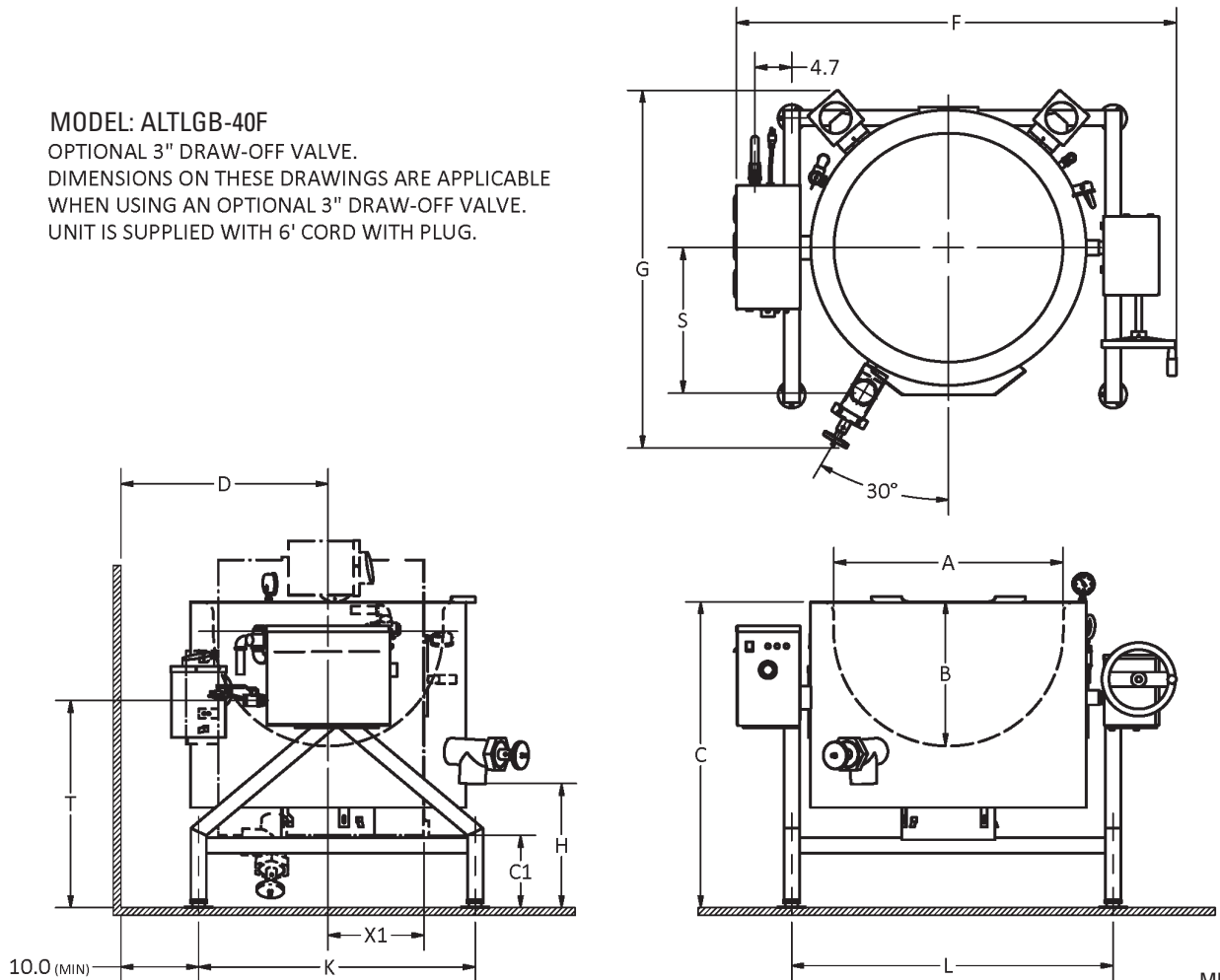
**INSULATED SELF-CONTAINED ERGO-LOW RIM KETTLE-  
ALTGB-XXF**

20-60 GALLON CAPACITY—Gas-Fired, Full Jacketed  
Insulated for Safety™ Deep Drawn Construction  
Tilting, Floor Mounted. Made in USA

Gal.	BTU RATING		Natural	Propane	Electrical
	Natural	Propane			
20	66,700	67,800	Supply Piping: 1/2" IPS	Supply Piping: 1/2" IPS	120 volt (standard) 208/240 volt (optional) 50/60 Hz 1 Phase 1 Amp
30	79,900	83,100	Supply Piping: 3/4" IPS	Supply Piping: 3/4" IPS	
40	106,800	108,500	Supply Pressure: 5-7" W.C. (nominal)	Supply Pressure: 12-14" W.C. (nominal)	
60	131,400	131,100	Outlet Pressure Factory Setting: 3.5" W.C.	Outlet Pressure Factory Setting: 9.0" W.C.	

MODEL ALTGB-F DIMENSIONS*													
Gal.	A	B	C	C1	D	F	G	H (3")	K	L	S	T	XI
20	22.0	15.0	35.9	13.0	23.8	47.7	39.0	16.2	32.1	33.5	20.0	23.2	13.5
30	23.0	17.8	40.2	11.0	26.2	51.1	42.5	17.6	34.7	36.8	17.5	26.3	13.6
40	25.5	18.6	39.4	9.3	26.7	56.6	46.1	17.1	35.6	41.4	18.6	27.7	12.4
60	29.5	22.3	42.3	11.4	28.6	57.9	47.5	15.1	41.6	43.4	19.9	28.7	14.4

MODEL: ALTGB-40F  
OPTIONAL 3" DRAW-OFF VALVE.  
DIMENSIONS ON THESE DRAWINGS ARE APPLICABLE  
WHEN USING AN OPTIONAL 3" DRAW-OFF VALVE.  
UNIT IS SUPPLIED WITH 6' CORD WITH PLUG.



MM6265-2103