

## Potis Doner Kebab Machines / Vertical Broilers - Natural Gas

ITEM:	49060	49061	49062
MODEL:	GD-3	GD-4	GD-5

49060



49061



49062



### Exceptional Performance and Genuine Flavours for Your Doner Kebabs.

Elevate your kitchen with Potis Natural Gas Doner Kebab Machines, designed to bring authentic doner kebab flavors right to your business. These gyro grill feature top-notch attributes and precise control, making it easy to prepare delectable doner kebabs.

#### FEATURES:

- **Gas type**

Available in Natural Gas option, these machines fit seamlessly with your existing setup.

- **BTU**

With robust BTU ratings for Natural Gas, these equipments provide the heat needed for perfect cooking.

- **Burners**

Features infrared burners with ceramic plates for even heat distribution and consistent cooking. These machines include continuous pilots for immediate ignition, saving energy and allowing precise control of the heating process.

- **Adjustable**

The distance between the cooking spit and burners can be adjusted to achieve your desired level of smokiness and flavor as the amount of meat decreases.

- **Dimensions**

With compact dimensions, these doner kebab machines fit neatly into your kitchen without taking up too much space.

*\* Natural Gas regulator must be purchased separately.*

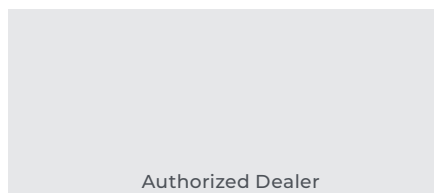
**\* come with conversion kits**

1-833-487-3686

[www.trentoequipment.com](http://www.trentoequipment.com)

[sales@trentoequipment.com](mailto:sales@trentoequipment.com)

Follow us on social media  
@trentoequipment

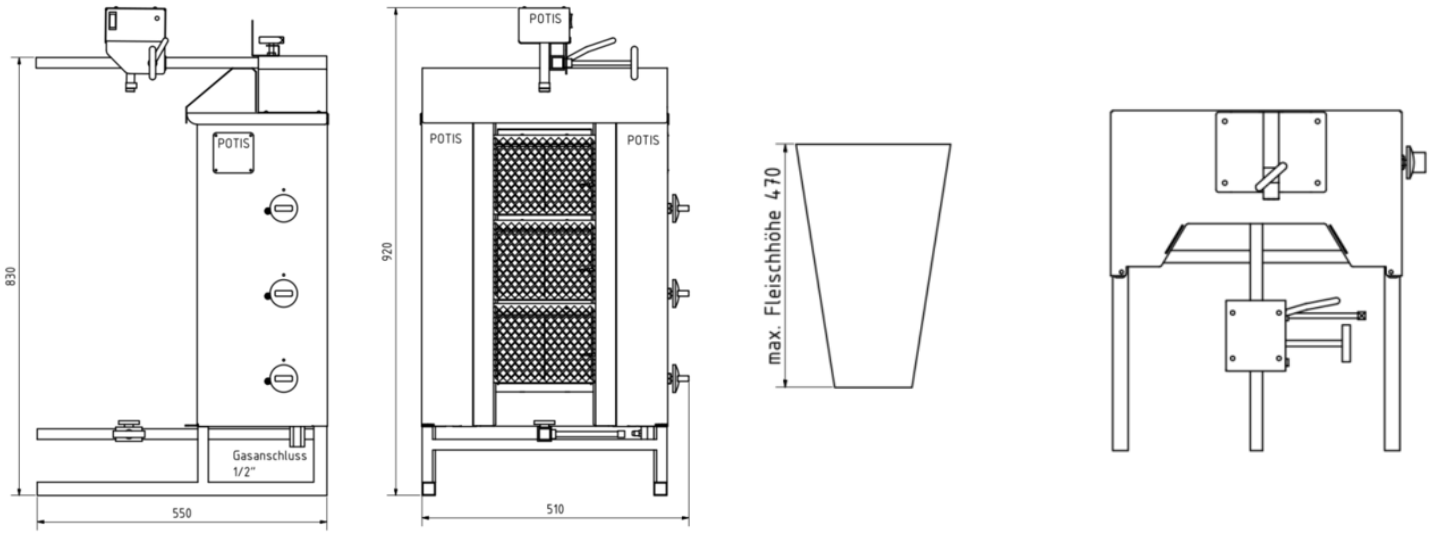


Technical Specification			
Features	40 Kg, 3 Burners	70 Kg, 4 Burners	120 Kg, 5 Burners
Item	49060	49061	49062
Model	GD-3	GD-4	GD-5
Gas Type	Natural Gas (NG)		
Cooking Capacity	88.18 lbs. (40 kg)	2	6
Max Height of Meat	17.7" (450 mm)	40	70
Material	Stainless Steel		
BTU (per hour)	28,500 (9500 each)	81,891	116,012.82
Burner Surface Area (HxW)	19.1" x 7.3" (485 x 185 mm)		
Floor Space (without grease tray, WxD)	20" x 23.2" (510 x 590 mm)		
Floor Space (with grease tray, WxD)	20.6" x 26.7" (525 x 680 mm)		
Net Weight	88 lbs. (40 kg)	154.3 lbs. (70 kg)	264.5 lbs. (120 kg)
Net Dimensions (WxDxH)	20.7" x 26.8" x 36.2" (525 x 680 x 920 mm)	40.9" x 39" x 28.6" (1040 x 990 x 727 mm)	55.1" x 61.4" x 37.4" (1400 x 1560 x 950 mm)

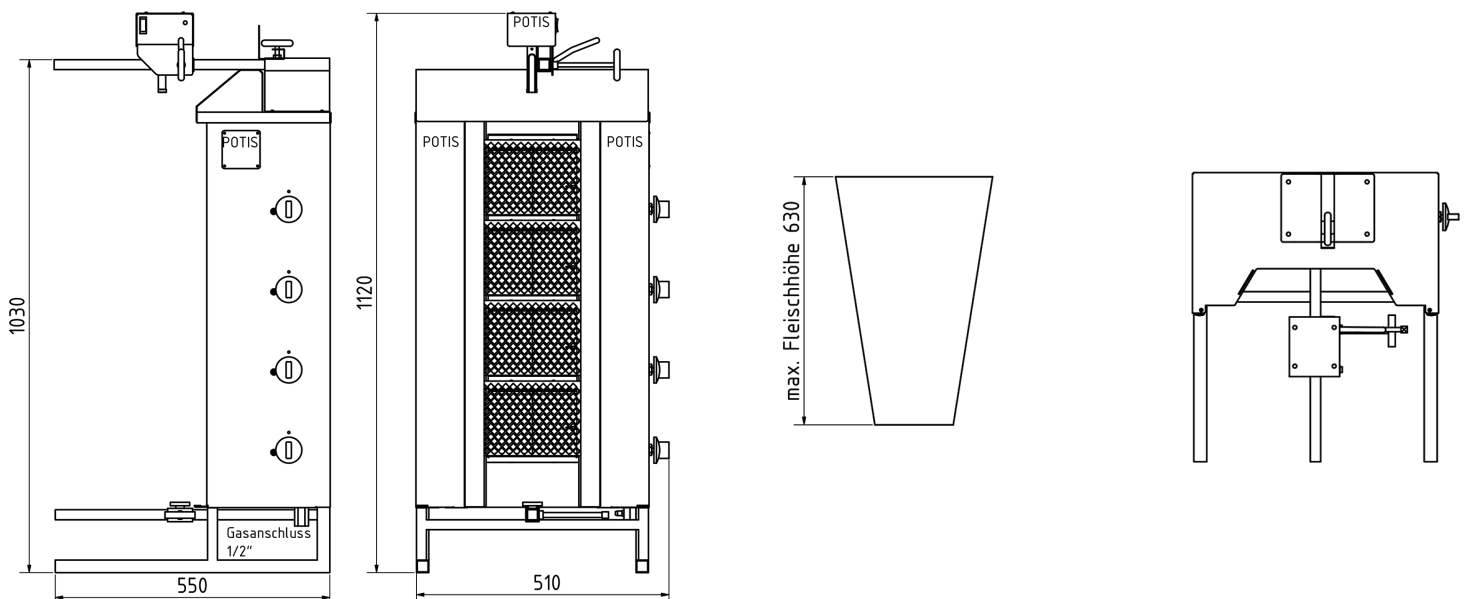
Accessories		
Item No.	Item Description	Compatible
49065	Dish (250 mm Ø)	49060, 49061, 49062
49066	Dish (195 mm Ø)	49060, 49061, 49062
49067	Dish (150 mm Ø)	49060, 49061, 49062
49068	1080 mm Skewer	49062
49069	895 mm Skewer	49061
49070	695 mm Skewer	49060, 49062
49071	Dual Burner with Nozzle - Natural Gas	49060, 49061, 49062
49072	Combustion Grating For Dual Burner	49060, 49061, 49062
49073	Motor Drive 1rpm	49060, 49061, 49062
49074	Thermocouple 330 mm	49060, 49061, 49062
49075	Magnet Coil	49060, 49061, 49062
49076	Reinforced Hand Cross (350 x 350 x 105 mm WxDxH )	49060, 49061, 49062
49093	LPG Conversion Kit for GD3	49060
49077	LPG Conversion Kit for GD4	49061
49094	LPG Conversion Kit for GD5	49062

## Technical Drawings

49060



49061



## Technical Drawings

49062

