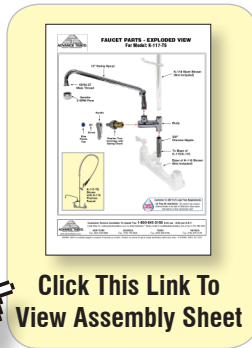




K-117-TS ADD-A-FAUCET

For Use With K-115 & K-116 Prerinse Faucet
Conforms To NSF 61/9 Lead Free Requirements



Click This Link To View Assembly Sheet

Item #: _____ Qty #: _____
Model #: _____
Project #: _____

FEATURES:

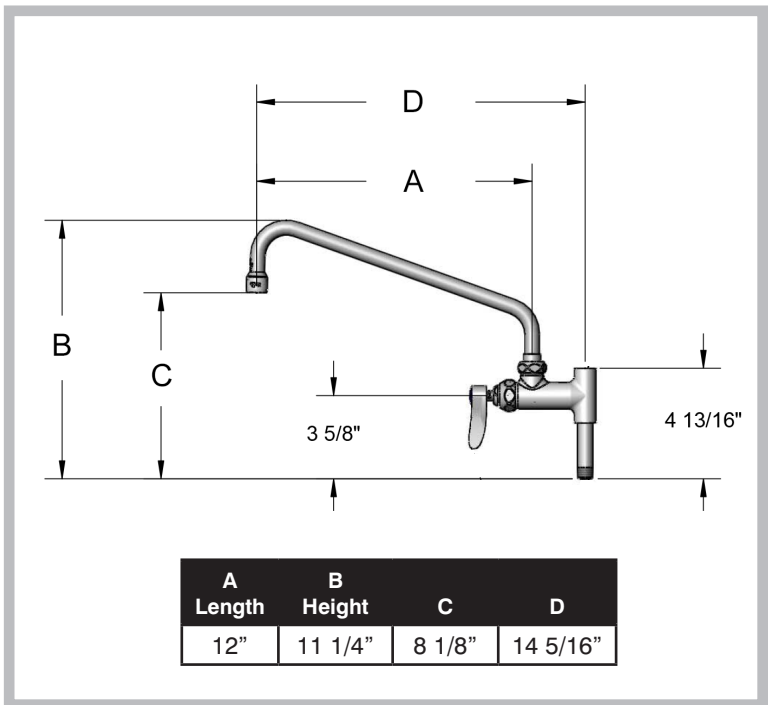
Fits Advance Tabco K-115 and K-116 Faucet Only.

- Quarter-turn wedge style handle.
- Colored hot & cold Indexes.
- Spray head with continuous water flow ring.
- Heavy duty hose spring.
- Wall mount bracket.
- Adjustable spray head hook.

MATERIAL:

- Brass chrome plated body.
- Chrome plates handles.

DIMENSIONS and SPECIFICATIONS



Options & Accessories

Low Flow Aerator
K-08
.5 GPM



⚠ WARNING:

Faucet(s) on this page may expose you to chemicals, including lead, that are known to the State of California to cause cancer or birth defects or other reproductive harm. For more Info., visit www.p65warnings.ca.gov.



Customer Service Available To Assist You **1-800-645-3166** 8:30 am - 8:00 pm E.S.T.

For Orders & Customer Service:
Email: customer@advancetabco.com or Fax: 631-242-6900

For Smart Fabrication™ Quotes:
Email: smartfab@advancetabco.com or Fax: 631-586-2933