



# PRESTIGE Signature Series

## Liquor Display Racks NSF

### 25" and 30" Wide Units



**PLD-25 Series**  
25" Wide Units



**PLD-30 Series**  
30" Wide Units



**Optional Locking Cover**  
Available - Includes  
Padlock & 2 Keys

Item #: _____	Qty #: _____
Model #: _____	
Project #: _____	

**FEATURES:**

- Five tiered steps to display liquor bottles.
- Steel straps secure bottles on steps.
- Sound deadened.
- 7" backsplash.
- Optional stainless steel cover includes padlock and two keys.
- Adjustable stainless steel side cross-bracing
- PLD-30 Series** has rear deck for extra storage

**MATERIAL:**

- 20 gauge, 300 stainless steel
- Sides:** 14 gauge, 300 stainless steel
- Legs:** 1 5/8" O.D. 18 gauge, 300 stainless steel legs with 1" adjustable stainless steel bullet feet

**OPTIONAL STAINLESS STEEL COVERS:**

- Includes Padlock & Two Keys
- PRLC-2512** - 25" x 12" removable stainless steel cover
- PRLC-2518** - 25" x 18" removable stainless steel cover
- PRLC-2524** - 25" x 24" removable stainless steel cover
- PRLC-2530** - 25" x 18" removable stainless steel cover
- PRLC-2536** - 25" x 24" removable stainless steel cover
- PRLC-3012** - 30" x 12" removable stainless steel cover
- PRLC-3018** - 30" x 18" removable stainless steel cover
- PRLC-3024** - 30" x 24" removable stainless steel cover
- PRLC-3030** - 30" x 18" removable stainless steel cover
- PRLC-3036** - 30" x 24" removable stainless steel cover

25" DEPTH				30" DEPTH				
Model #	Size W x L x H	Approx. Weight	Approx. Cu. Ft.	Model #	Size W x L x H	Approx. Weight	Approx. Cu. Ft.	Approx. Bottle Capacity
PLD-2512	25" x 12" x 36"	25 lbs.	10	PLD-3012	30" x 12" x 36"	30 lbs.	12	15
PLD-2518	25" x 18" x 36"	30 lbs.	10	PLD-3018	30" x 18" x 36"	35 lbs.	12	20
PLD-2524	25" x 24" x 36"	35 lbs.	10	PLD-3024	30" x 24" x 36"	40 lbs.	12	30
PLD-2530	25" x 30" x 36"	40 lbs.	14	PLD-3030	30" x 30" x 36"	45 lbs.	17	35
PLD-2536	25" x 36" x 36"	50 lbs.	14	PLD-3036	30" x 36" x 36"	55 lbs.	17	45



**Customer Service Available To Assist You 1-800-645-3166 8:30 am - 7:00 pm E.S.T.**

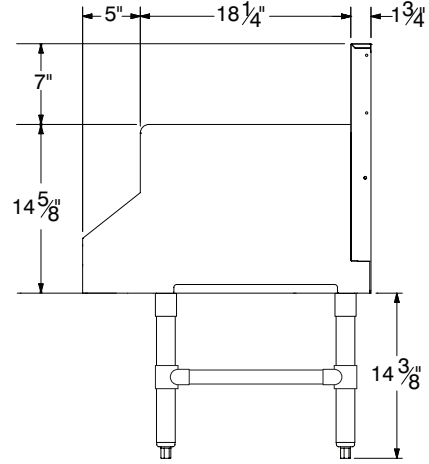
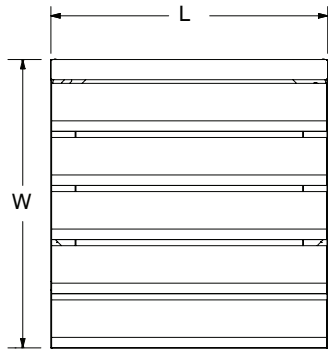
For Orders & Customer Service:  
Email: [customer@advancetabco.com](mailto:customer@advancetabco.com) or Fax: 631-242-6900

For Smart Fabrication™ Quotes:  
Email: [smartfab@advancetabco.com](mailto:smartfab@advancetabco.com) or Fax: 631-586-2933

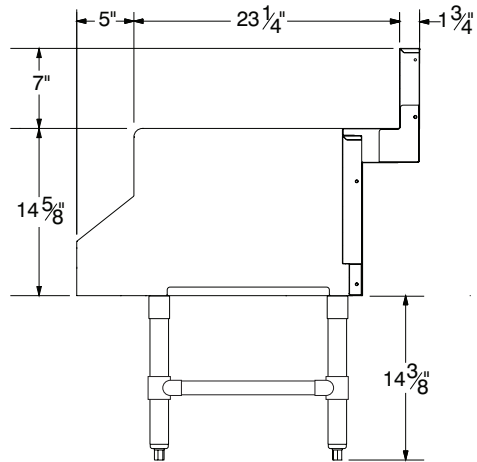
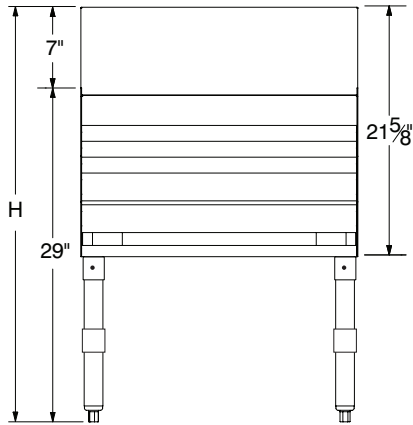
# DIMENSIONS and SPECIFICATIONS

TOL Overall: ± .500" Interior: ± .250"

ALL DIMENSIONS ARE TYPICAL

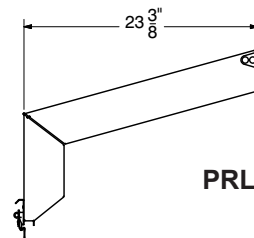
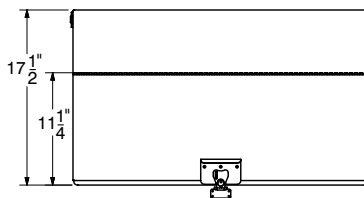
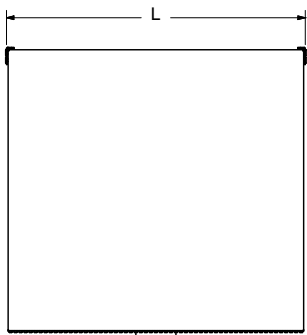


**PLD-25 Series**

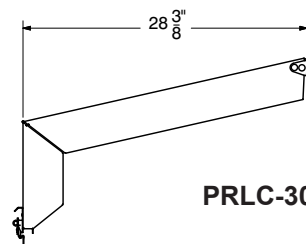


**PLD-30 Series**

## Optional Stainless Steel Cover (PRLC Series)



**PRLC-25 Series**



**PRLC-30 Series**

