



Profit from the Eagle Advantage®

# Specification Sheet

## Short Form Specifications

Eagle Panco® Multiple Purpose Racks, model \_\_\_\_\_ . Extruded aluminum upright frame with angular keyhole slots on 2½" centers. Adjustable universal slides with special wide lip. Top and bottom slides are welded to uprights, remaining slides on 2½" centers. Furnished with 5"-diameter casters. Shipped assembled.



multiple purpose rack  
model #MPR-12

## Options / Accessories

- Casters with locking brakes
- Pan stops
- Rotary bumpers

**EAGLE GROUP**  
 100 Industrial Boulevard, Clayton, DE 19938-8903 USA  
 Phone: 302-653-3000 • Fax: 302-653-2065  
 www.eaglegrp.com

**Foodservice Division: Phone 800-441-8440**  
**MHC/Retail Display Divisions: Phone 800-637-5100**

For custom configuration or fabrication needs, contact our **SpecFAB® Division**.  
 Phone: 302-653-3000 • Fax: 302-653-2065 • e-mail: quotes@eaglegrp.com

Item No.: \_\_\_\_\_  
 Project No.: \_\_\_\_\_  
 S.I.S. No.: \_\_\_\_\_

## Panco® Multiple Purpose Racks

### MODELS:

- MPR-10
- MPR-12

### Design and Construction Features

- Frame: 0.100" (3mm) extruded aluminum uprights with angular keyhole slots on 2½" (64mm) centers, to accept slides 0.100" (3mm) aluminum channel across top and bottom, all-welded construction.
- Slides: 0.100" (3mm) aluminum, formed with special wide lip and supplied with shoulder rivet, for connection in keyhole slots. Top and bottom slides are welded to uprights (non-removable), remaining slides are adjustable on 2½" (64mm) centers.
- Casters: 5" (127mm)-diameter NSF-approved, non-marking rubber tired wheels on swivel stem plated casters.
- Shipped assembled.



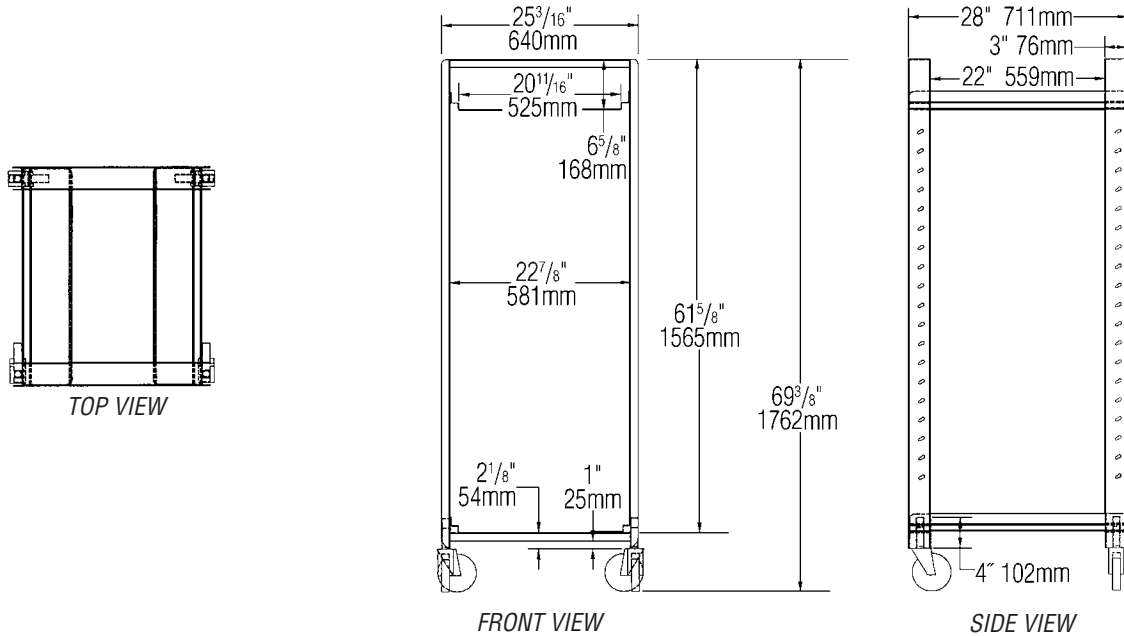
**Spec sheets available for viewing, printing or downloading from our online literature library at [www.eaglegrp.com](http://www.eaglegrp.com)**



Profit from the Eagle Advantage®

Item No.: \_\_\_\_\_  
 Project No.: \_\_\_\_\_  
 S.I.S. No.: \_\_\_\_\_

# Panco® Multiple Purpose Racks



model #	overall dimensions			weight		universal slides supplied			
	width in.	width mm	depth in.	depth mm	height in.		height mm	lbs.	kg
MPR-10	25 <sup>3</sup> / <sub>16</sub> "	640	28"	711	69 <sup>5</sup> / <sub>8</sub> "	1762	71	32.2	10 sets
MPR-12	25 <sup>3</sup> / <sub>16</sub> "	640	28"	711	69 <sup>5</sup> / <sub>8</sub> "	1762	81	36.7	12 sets

width x depth		width x depth	
in.	mm	in.	mm
10 <sup>7</sup> / <sub>8</sub> " x 276	19 <sup>3</sup> / <sub>4</sub> " x 502	20" x 20"	508 x 508
11 <sup>7</sup> / <sub>8</sub> " x 20"	302 x 508	22 <sup>1</sup> / <sub>2</sub> " x 20 <sup>1</sup> / <sub>2</sub> "	571 x 521
12" x 20"	305 x 508	20" x 22"	508 x 559
12" x 18"	305 x 457	18" x 26"	457 x 660
14" x 18"	305 x 457	18" x 13"	457 x 330
15" x 20"	381 x 508		

**EAGLE GROUP**  
 100 Industrial Boulevard, Clayton, DE 19938-8903 USA  
 Phone: 302-653-3000 • Fax: 302-653-2065  
 www.eaglegrp.com

Foodservice Division: Phone 800-441-8440  
 MHC/Retail Display Divisions: Phone 800-637-5100

Printed in U.S.A.  
 ©2014 by Eagle Group  
 Rev. 10/14

Spec sheets available for viewing, printing or downloading from our online literature library at [www.eaglegrp.com](http://www.eaglegrp.com)

Although every attempt has been made to ensure the accuracy of the information provided, we cannot be held responsible for typographical or printing errors. Information and specifications are subject to change without notice. Please confirm at time of order.