



# BEVERAGE-AIR

Project: _____	AIA#
Item: _____	
Location: _____	SIS#
Approved: _____	

**MT21™ MERCHANDISER: HINGED DOOR MODEL**

## MARKETEER™ MERCHANDISERS

MT21 Black Hinged Door Model  
Hydrocarbon Series

MODEL:  
MT21-1B



**3 Year Parts/Labor Warranty  
5 Year Compressor Warranty**

### CABINET CONSTRUCTION

- Standard cabinet exterior finish is heavy duty steel with a black baked on durable coating
- Heavy duty interior construction includes white coated steel
- Mechanical temperature control
- One piece grille
- Double pane lowE argon filled glass doors feature outside pane that is tempered for added safety
- Self-closing glass doors with pocket door handles
- LED lighting
- Eight (8) shelves standard
- Leveling feet

### OPTIONS & ACCESSORIES

- Extra shelves and clips

### REFRIGERATION SYSTEM

- Refrigeration system uses R290 refrigerant to comply with all environmental standards
- Low maintenance condenser



Please verify qualifying units by visiting:  
[www.energystar.gov/cfs](http://www.energystar.gov/cfs)

3779 Champion Blvd., Winston-Salem, NC 27105  
1-888-845-9800 Fax: 1-336-245-6453  
Beverage-Air.com Sales@bevair.com



# BEVERAGE-AIR

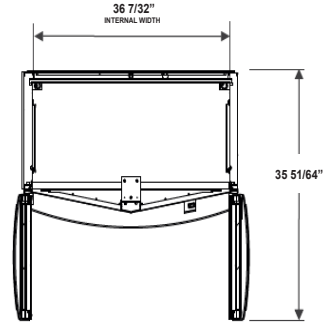
MODEL	MT21-1B
<b>EXTERNAL DIMENSIONAL DATA</b>	
Width Overall	39 1/8"
Depth Overall	24 1/2"
Height Overall	61 7/32"
Number of Doors	2
Depth with Door Open 90°	35 5/16"
Door Openings	19 1/3" x 44 3/4"
<b>INTERNAL DIMENSIONAL DATA</b>	
NET Capacity (cubic ft.)	16.77
Internal Width Overall (in)	36 7/32"
Internal Depth Overall (in)	17 23/32"
Internal Height Overall (in)	39 3/4"
Internal Height Useable (in)	36 19/32"
Number of Shelves	8
<b>ELECTRICAL DATA</b>	
Full Load Amperes 115/60/1	3.6
<b>REFRIGERATION DATA</b>	
Horsepower	1/3
Charge (lbs/grams/ounces)	0.1433 / 65 / 2.3
<b>WEIGHT DATA</b>	
Gross Weight - Crated	308 lbs
Height - Crated	80"
Width - Crated	43"
Depth - Crated	28"

We reserve the right to change specifications and product design without notice. Such revisions do not entitle the buyer to corresponding changes, improvements, additions or replacements for previously purchased equipment. Dimensional tolerances +/- 1/4". Metric dimensions (MM).

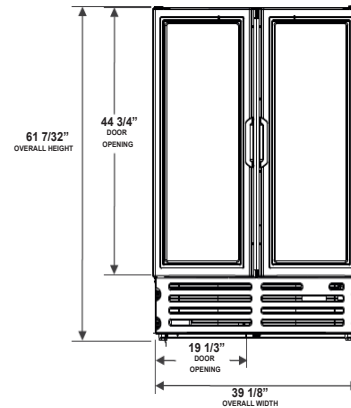
## Glass Hinged Door Model Model: MT21-1B

### Model Views

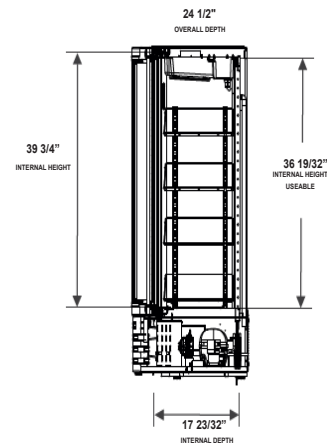
Required Clearance: 4" Top, Bottom, Rear, & Sides



### PLAN VIEW



### ELEVATION VIEW



### SIDE VIEW

### ELECTRICAL CONNECTION



115/60/1  
NEMA 5-15P

Unit pre-wired at factory and include 8' long cord and plug set.

