



U-Star's Solid Door Narrow Depth Reach-In Refrigerators and Freezers are constructed of heavy duty stainless steel making them strong and durable enough to survive any kitchen environment. Their narrower design is great for tight areas where space is limited. The cooling units are bottom mounted and slide out for easy maintenance and cleaning. All models come with 6" casters and plastic coated wire shelving that is easily removable to adjust the shelf height. The front digital controllers and LED readout makes it easy to adjust the interior temperature. These models are ETL Listed and ETL Sanitation. They are backed with a 1 year warranty on parts and labor and a 5 year warranty on the compressor.

Product Features

- 430 series stainless steel exterior
- Painted aluminum interior
- Environmentally-friendly R290 refrigerant
- Self-closing doors
- Precise digital temperature controller with LED display
- Foamed-in-place polyurethane high density cell insulation throughout the entire cabinet
- Bottom-mounted cooling unit that slides out
- Removable door gasket
- Recessed door handles
- (4) 6" casters (2 locking and 2 non-locking)

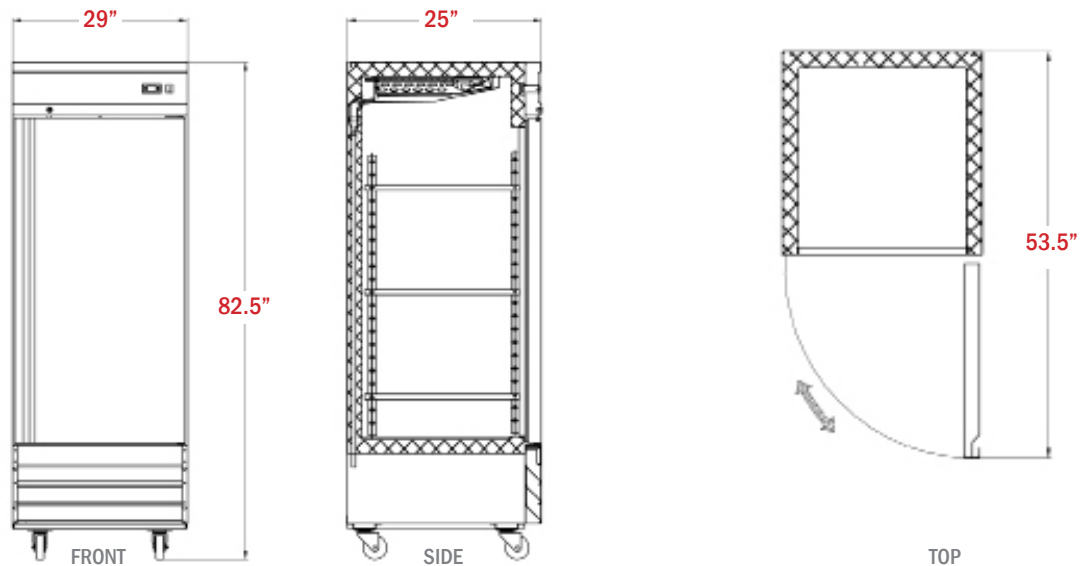


Specifications

Model Number	USRF-1D/19	USFZ-1D/19
Type	Refrigerator	Freezer
Doors	1	1
Shelves	3	3
Net Volume (Cu. Ft.)	19 Cu. Ft.	19 Cu. Ft.
Overall Dimensions (in)	29" x 25" x 82.5"	29" x 25" x 82.5"
Interior Dimensions (in)	24.5" x 20" x 53.5"	24.5" x 20" x 53.5"
Refrigerant	R290	R290
Horsepower	1/5	1/2
Voltage/Hertz/Phase	115/60/1	115/60/1
Amps	2.8	8.28
Net Weight (lbs)	225 lbs	236 lbs
Gross Weight (lbs)	269 lbs	280 lbs
Shipping Dimensions (in)	30.25" x 27" x 83.5"	30.25" x 27" x 83.5"

Plan Views

USRF-1D/19
USFZ-1D/19



Features

Cooling System

- Refrigeration units use environmentally friendly R290 refrigerant that maintain a temperature range of 32°F–41°F
- Freezer units use environmentally friendly R290 refrigerant and maintain a temperature range of -7°F–0°F
- Bottom-mounted cooling unit slides out for easy cleaning and maintenance and allows for storage area on top of the unit
- Rugged built axial evaporator fans run efficiently with low velocity and high volume air flow

Electrical Control

- Electric LED temperature controller provides a digital display of cabinet temperatures and allows for easy temperature adjustments when necessary
- Temperature controller initiates automatic defrost schedule for worry free use
- 7 foot power cord with NEMA 5-15 plug



Cabinet Construction

- Exterior is constructed of 430 stainless steel including the doors
- Interior is constructed of a painted aluminum liner
- The cabinet is insulated throughout with a foamed-in-place high density cell polyurethane insulation

Door(s)

- Stainless steel exterior with aluminum liner on the inside
- Positive self-closing doors with microswitch that shuts the evaporator fans off when the door is open
- Recessed handles are built into the door for easy opening and closing
- Locking door keep items inside secure after hours
- Stainless steel doors are field reversible

Shelving

- Adjustable plastic coated steel shelves that have a load capacity of up to 90 lbs per shelf

Model Features

- Incandescent interior lighting activated by door switch
- 6" casters come standard on all stainless steel models. Two locking and 2 non-locking brakes.