



YOU CAN TRUST

SEALING MACHINES

DHSF-30 / DHSF-45



DHSF-30
12" DIRECT HEAT SEALER



DHSF-45
18" DIRECT HEAT SEALER



STANDARD FEATURES

Skyfood Foot-Operated Direct Heat Sealers are available in two different sizes, 12 and 18" long seal bar to better suit your needs. Robust metal construction, these foot-operated direct heat sealers are essential tools in any food service and other commercial operations. Seal a variety of thermoplastic materials. Both upper and lower seal bars heat up for better heat penetration to seal thicker materials with precise serrated lines. Adjustable temperature controller accurately maintains temperature on both seal bars for consistent sealing. For use with plastic kraft papers, aluminum foil bags, mylar bags, poly cello bags, etc.

- Foot pedal operation
- Adjustable temperature controller 0 - 572 F (300 C)
- Available in two sizes: 12 and 18" long x 15 mm wide seal bars
- Serrated seal lines
- Seal plastic kraft papers, aluminum foil bags, mylar bags, poly cello bags, etc.
- On light indicator
- Include an adjustable worktable
- Easy to use and to clean

ILLUSTRATIVE PHOTO, ACTUAL PRODUCTS AND ACCESSORIES ARE SUBJECT TO CHANGE WITHOUT NOTICE.



Skyfood Equipment LLC
175 SW 7th Street, Ste 2416
Miami, FL 33130

Toll Free:
1-800-503-7534
sales@skyfood.us

www.skyfood.us



Follow us to keep up to date with the latest news and offers

/SkyfoodEquipment

/SkyfoodEquipment

/SkyfoodEquipment



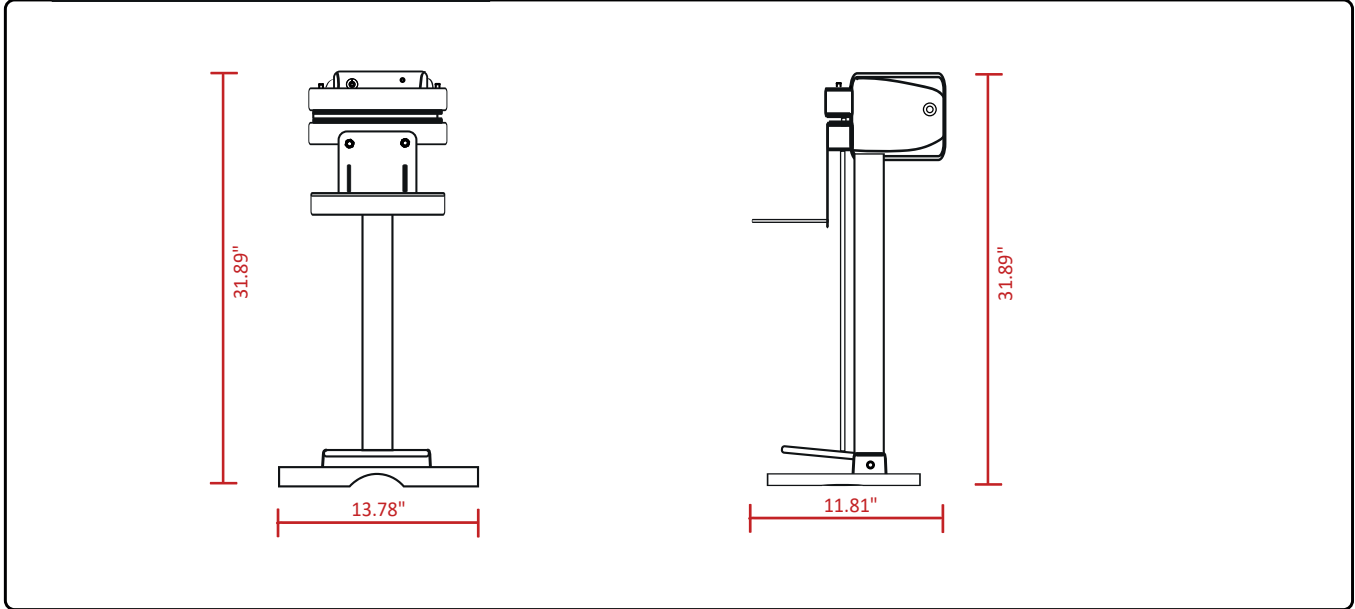
YOU CAN TRUST

SEALING MACHINES

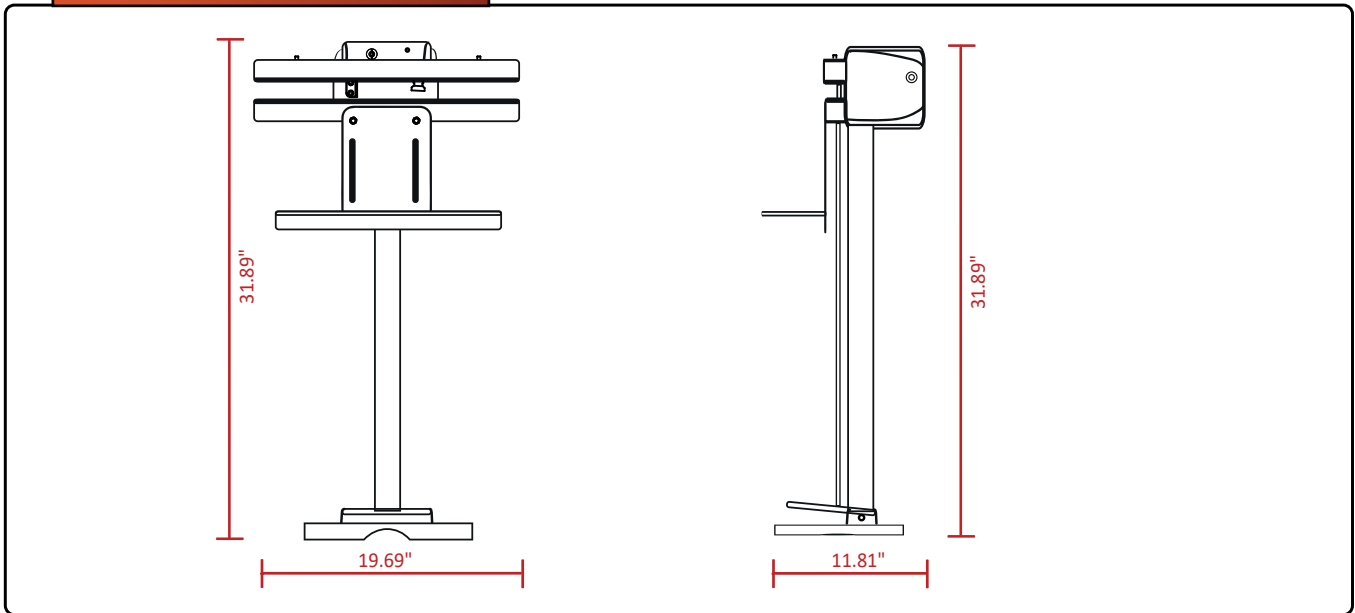
DHSF-30 / DHSF-45



DIMENSIONS - DHSF-30



DIMENSIONS - DHSF-45



WARRANTY 01 YEAR PARTS AND LABOR VALID IN THE CONTINENTAL UNITED STATES.

ASSEMBLY REQUIRED
ASSEMBLY INSTRUCTIONS PROVIDED WITH MACHINE.



PLUG
NEMA 5-15P



MADE IN TAIWAN

Item	Voltage	Power Rating	Amps	Dimensions (W x D x H)	Weight (Net x Ship)	Seal Bar	PLUG
DHSF-30	110/220V	400 W	3.6	13.78" x 11.81" x 31.89"	33.1 lb x 36 lb	11.8" long x 5/8" (15mm) wide	NEMA 5-15P
DHSF-45	110/220V	600 W	5.5	19.69" x 11.81" x 31.89"	35.3 lb x 38 lb	17.7" long x 5/8" (15mm) wide	NEMA 5-15P



Skyfood Equipment LLC
175 SW 7th Street, Ste 2416
Miami, FL 33130

Toll Free:
1-800-503-7534
sales@skyfood.us

www.skyfood.us



Follow us to keep up to date with the latest news and offers

[/SkyfoodEquipment](#)

[/SkyfoodEquipment](#)

[/SkyfoodEquipment](#)

ILLUSTRATIVE PHOTO, ACTUAL PRODUCTS AND ACCESSORIES ARE SUBJECT TO CHANGE WITHOUT NOTICE.