



YOU CAN TRUST

GARLIC PEELER

DAL-6



STANDARD FEATURES

- Specially designed to make the day to day operation of commercial kitchens easier. DAL-6 Garlic Peeler is practical and easy to operate.
- It peels and washes 9 lb of garlic cloves at once in less than five minutes, leaving it ready for consumption.
- Stainless steel construction makes it easy to clean.
- Hinged cover with inspection holes.
- 7-minute timer allows for un-attended operation and prevent wastage of products.
- Safety switch stops motor when cover is lifted up.



DAL-6
GARLIC PEELER

ILLUSTRATIVE PHOTO, ACTUAL PRODUCTS AND ACCESSORIES ARE SUBJECT TO CHANGE WITHOUT NOTICE.



Skyfood Equipment LLC
175 SW 7th Street, Ste 2416
Miami, FL 33130

Toll Free:
1-800-503-7534
sales@skyfood.us

www.skyfood.us



Follow us to keep up to date with the latest news and offers

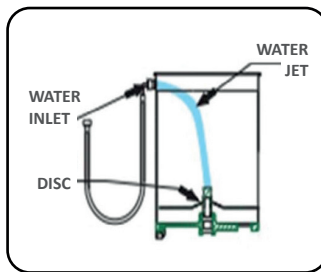
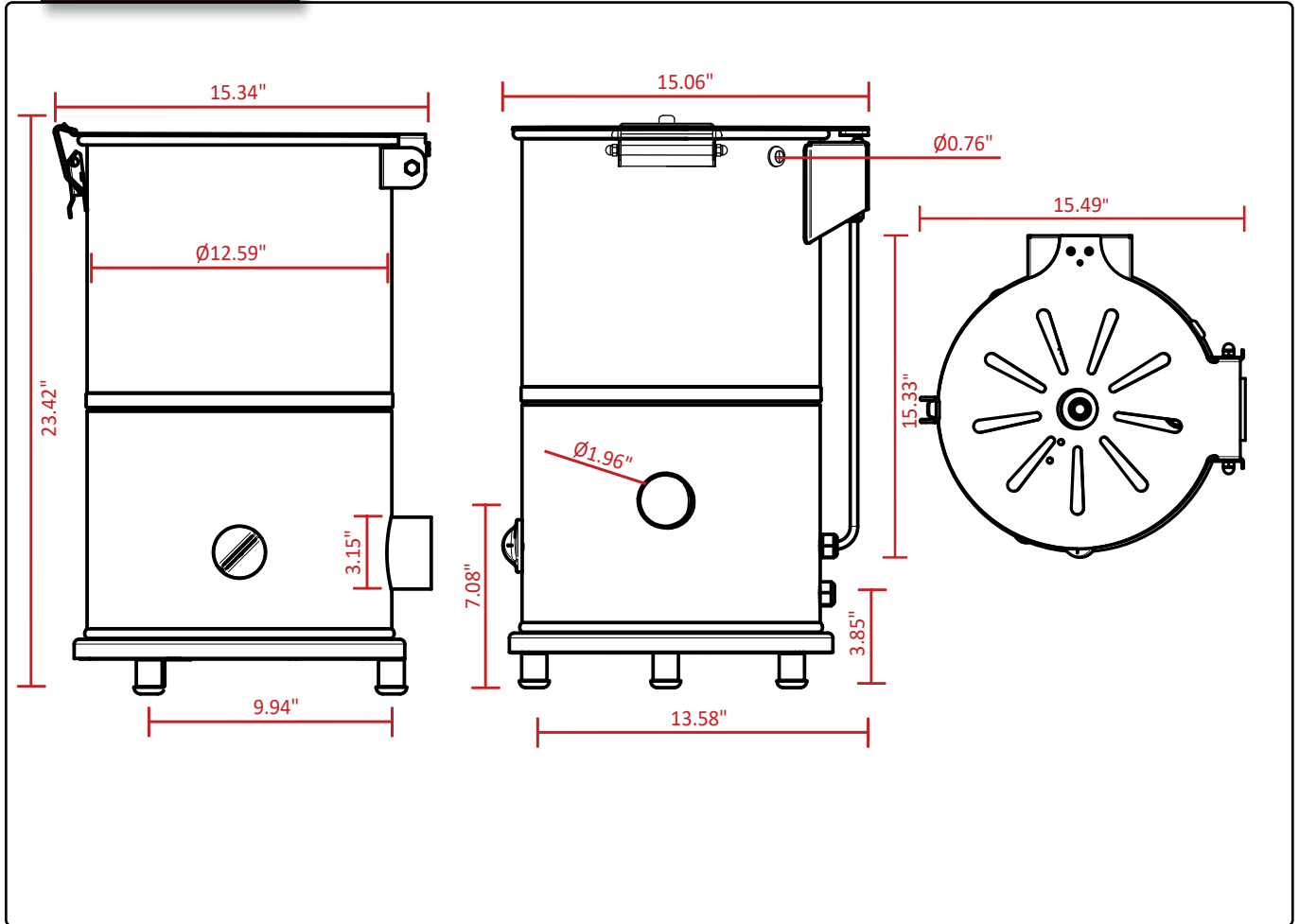
/SkyfoodEquipment

/SkyfoodEquipment

/SkyfoodEquipment




DIMENSIONS




CALIFORNIA RESIDENTS ONLY - WARNING:
Cancer and Reproductive Harm - www.P65Warnings.ca.gov



MADE IN BRAZIL



PLUG
NEMA 5-15P

WARRANTY 01 YEAR PARTS AND LABOR VALID IN THE CONTINENTAL UNITED STATES.

Item	Voltage	AMPS	Power Rating	Dimensions (W x D x H)	Weight (Net x Ship)	Tank Capacity	Production	PLUG
DAL-6	110 V	6.3	1/4 HP	13 5/8" x 13" x 21 1/2"	36 lb x 51 lb	9 lb	106 lb/h approx.	NEMA 5-15P



Skyfood Equipment LLC
175 SW 7th Street, Ste 2416
Miami, FL 33130

Toll Free:
1-800-503-7534
sales@skyfood.us

www.skyfood.us

