



HOT WELL COVERS

FLIP UP COVERS FOR HOT TABLES



Item #: _____ Qty #: _____
 Model #: _____
 Project #: _____

FEATURES:

- Fits Advance Tabco Hot Well Units
- All Stainless Steel
- Handle for easy opening
- Removable for easy cleaning

MATERIAL:

18 Ga. Stainless Steel

Model #	Length (L)	Fits # of Compart.	Wt.	Cu. Ft.
RC-1	14 5/8"	1	23	5
RC-2	29 7/8"	2	60	10
RC-3	45 1/4"	3	74	15
RC-4*	29 7/8" ea. (Two RC-2 Covers)	4	88	20
RC-5**	29 7/8" (RC-2), 45 1/4" (RC-3)	5	105	25

* Supplied with Two RC-2 Covers

** Supplied with One RC-2 & One RC-3 Cover

PLEASE NOTE: RC Series Covers cannot be used with table mounted overshelves or food shields.

INDIVIDUAL WELL COVERS FOR HOT TABLES & DROP-IN UNITS



FEATURES:

- Stainless Steel
- Removable
- Fits All Advance Tabco Hot Well Units

MATERIAL:

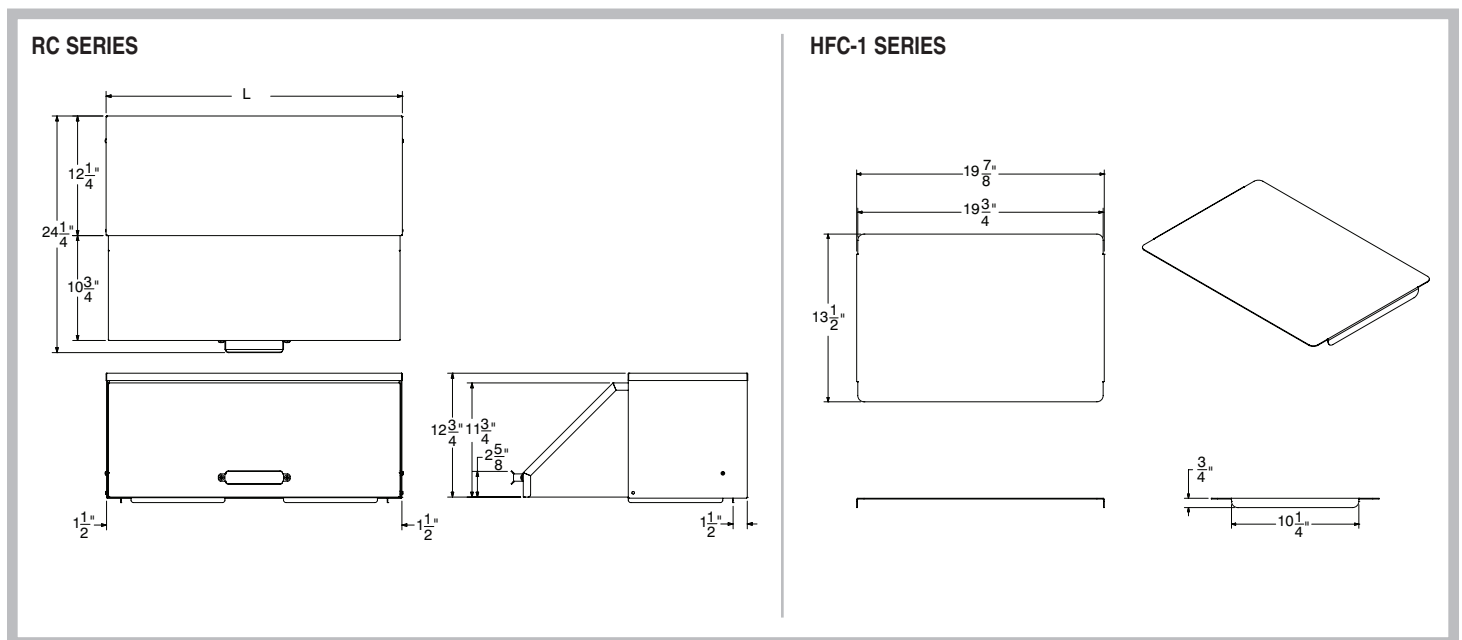
18 Ga. Stainless Steel


Model #	L X W	Wt.	Cu. Ft.
HFC-1	21" X 13"	10	1

DETAILS and SPECIFICATIONS

TOL Overall: ± .500" Interior: ± .250"

ALL DIMENSIONS ARE TYPICAL





www.advancetabco.com

Customer Service Available To Assist You 1-800-645-3166 8:30 am - 7:00 pm E.S.T.

For Orders & Customer Service:
 Email: customer@advancetabco.com or Fax: 631-242-6900

For Smart Fabrication™ Quotes:
 Email: smartfab@advancetabco.com or Fax: 631-586-2933