



BEVERAGE-AIR

| | |
|-----------------|------|
| Project: _____ | AIA# |
| Item: _____ | |
| Location: _____ | SIS# |
| Approved: _____ | |

DPD119HC FOOD PREPARATION : DELI/PIZZA PREP SERIES

FOOD PREPARATION TABLES

DPD119HC Deli/Pizza Prep Table with Two Door and Six Drawers
Hydrocarbon Series

MODEL:
DPD119HC-6T



7 Year Parts/Labor Warranty
7 Year Compressor Warranty

CABINET CONSTRUCTION

- Stainless steel front, sides, top, doors, drawers and grille (galvanized back & bottom)
- Interior liner is made of corrosion resistant aluminum
- Aluminum top interior liner prevents spill from falling into cabinet
- Stainless steel top
- Removable hoods and insulated lid assemblies are made of matching stainless steel
- Self-closing doors with 120° stay-open feature on cam-lift hinges
- Magnetic gaskets provide positive seal on both doors and drawers
- Field reversible doors
- 3" Casters, 2 with brakes standard
- 19" Wide reversible cutting board is removable for easy cleaning
- Four (4) epoxy-coated steel wire shelves
- Units will accept pans up to 6" deep (pans are not included)
- Drawer frames are heavy-duty stainless steel
- 12-Gauge stainless steel drawer slides with Delrin® rollers rated at 275 lbs
- Telescoping slides, with locking mechanism to prevent drawers from being pulled off of cabinet
- Heavy-duty pan locking divider supports are standard in drawers
- Compressor available on left or right, specify at time of unit order

OPTIONS & ACCESSORIES

- Stainless steel back
- Stainless steel interior
- Clear lid
- Overshelf kits
- Additional shelves
- Shelf clips
- Pan support
- Door locks
- Composite cutting board
- Thermometer
- Night cover
- Bun tray rack
- 6" Casters
- 6" Legs black or seismic/flanged
- Remote option* (see note on back page)

REFRIGERATION SYSTEM

- Uses environmentally friendly, energy efficient R290 refrigerant, and meets all regulatory requirements for CARB, SNAP, DOE & more
- Adaptive defrost
- Epoxy coated evaporator coil
- Enhanced airflow maintains temperatures between 36° - 38°F



Please verify qualifying units by visiting:
www.energystar.gov/cfs

3779 Champion Blvd., Winston-Salem, NC 27105
1-888-845-9800 Fax: 1-336-245-6453
Beverage-Air.com Sales@bevair.com

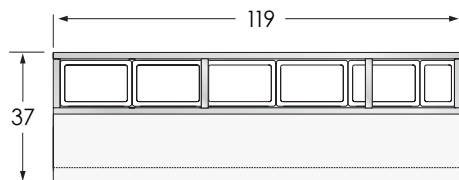


BEVERAGE-AIR

| MODEL | DPD119HC-6T |
|----------------------------------|--------------------|
| EXTERNAL DIMENSIONAL DATA | |
| Width Overall | 119" |
| Depth Overall with Cutting Board | 37" |
| Height Overall with Casters | 53 1/8" |
| No. of Drawers | 6 |
| Depth with Drawer Extended | 56 1/4" |
| Drawer Openings | 21 5/8" x 6 5/8" |
| No. of Doors | 2 |
| Door Openings | 21 5/8" x 23 1/2" |
| Cutting Board | 19" |
| INTERNAL DIMENSIONAL DATA | |
| NET Capacity (cubic ft.) | 42.2 |
| Internal Width Overall (in) | 115" |
| Internal Width Usable (in) | 100" |
| Internal Depth Overall (in) | 26" |
| Internal Height Overall (in) | 23 3/4" |
| No. of Shelves | 4 |
| ELECTRICAL DATA | |
| Full Load Amperes | 7.8 |
| REFRIGERATION DATA | |
| Horsepower | 1/2 |
| Capacity (BTU/Hr) | 4234 |
| Heat Rejection (BTU/Hr) | 6351 |
| Charge (lbs/grams/ounces) | 0.2646 / 120 / 4.2 |
| SHIPPING DATA | |
| Gross Weight - Crated | 703 lbs |
| Height - Crated | 48" |
| Width - Crated | 122" |
| Depth - Crated | 37" |

*NOTE: Remote units are field wired and come with 6" legs. Refrigerant must be specified at time of order.

We reserve the right to change specifications and product design without notice. Such revisions do not entitle the buyer to corresponding changes, improvements, additions or replacements for previously purchased equipment. Dimensional tolerances +/- 1/4". Metric dimensions (MM).

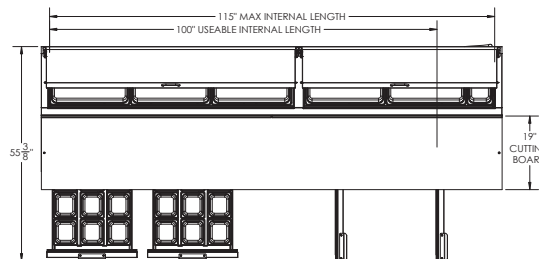


Top Configuration

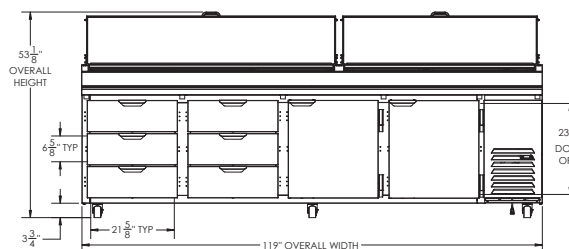
Deli/Pizza Preparation Table with Drawers Model: DPD119HC-6T

Model Views

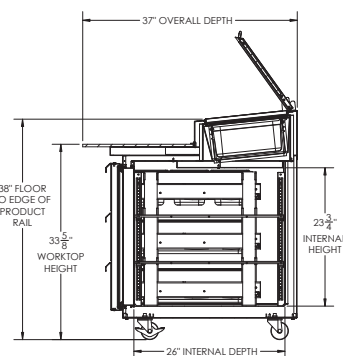
Required Clearance: 2" Bottom & 2" Rear



PLAN VIEW



ELEVATION VIEW



SIDE VIEW



ELECTRICAL CONNECTION



115/60/1
NEMA 5-15P

Unit pre-wired at factory and include 8' long cord and plug set.