

10" Home Line 250 Meat Slicers (Red/Black)

ITEM: 47111
MODEL: MS-IN-0250H-R

47113
MS-IN-0250H-BK

Revolutionary and compact

The Home Line 250 meat slicer not only captivates with its futuristic and sleek design but its compact size as well. Get beautiful design along with functionality in your kitchen without compromising safety standards.

FEATURES:

- Chrome-plated steel blade
- Produces uniform slices that reduce waste
- Absence of sharp edges for maximum user safety
- Easy and quick cleaning



1-833-487-3686

www.trentoequipment.com

sales@trentoequipment.com

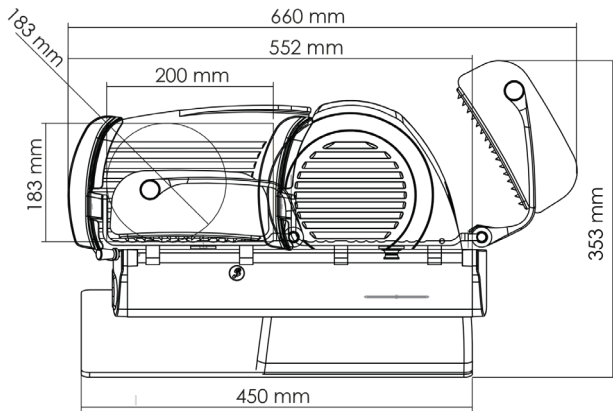
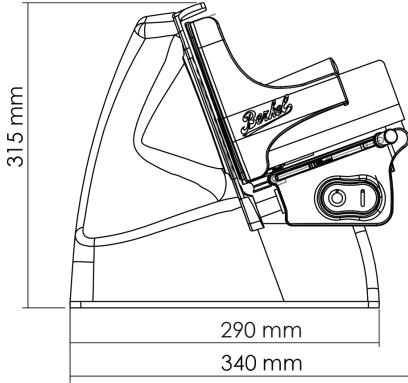
Follow us on social media
@trentoequipment



Authorized Dealer



TECHNICAL DRAWINGS



GUIDE:

- Not advisable to slice frozen products as doing so may damage the blade
- Recommended to slice cooked meat after cooling
- When slicing bread, we recommend that you:
 - Do not slice loaves of bread that are too soft or have too thick a crust
 - Do not compress the product and slice it slowly so as not to compromise the integrity of the slice
 - Catch the slice of bread with your hand to keep it from breaking
 - Avoid making slices that are too thin



Technical Specification		
Color	Red	Black
Item	47111	47113
Model	MS-IN-0250H-R	MS-IN-0250H-BK
Blade Size	9.8" (250 mm)	
Cutting Size	□ 7.9" x 7.2" (200 x 183 mm) ○ 7.2" (183 mm)	
Cut Thickness	0 - 0.78" (0 - 20 mm)	
Power	190 W	
Electrical	115V / 60Hz / 1Ph	
Net Weight	32 lb. (14.5 kg.)	
Net Dimensions (WDH)	17.7" x 13.4" x 13.9" (450 x 340 x 353 mm)	