



Profit from the Eagle Advantage®

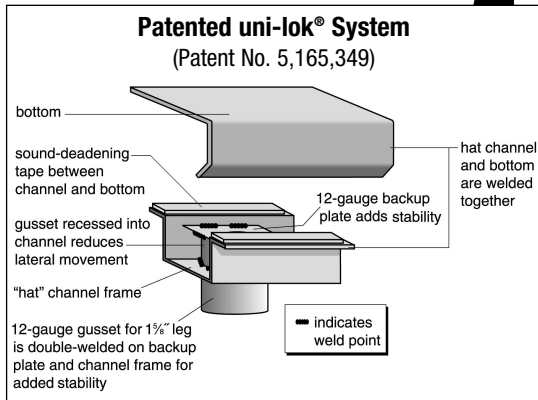
Specification Sheet

Short Form Specifications

Eagle Spec-Master® Plate Cabinet, model _____. Top is 14 gauge type 304 stainless steel—with ends and rear turned down 90° and rolled rim on front—reinforced with full-length stainless steel hat channel. Full-length fixed center shelf and body are heavy gauge type 430 stainless steel. 1½" O.D. type 304 stainless steel tubular legs with 1" adjustable bullet feet. Available with open front, sliding doors, or hinged doors.



Spec-Master® plate cabinet with open base



Options / Accessories

- Door locks
- Custom size

EAGLE GROUP

100 Industrial Boulevard, Clayton, DE 19938-8903 USA
 Phone: 302-653-3000 • 800-441-8440 • Fax: 302-653-2065
www.eaglegrp.com
www.eaglegrpnews.com
www.eaglegrp.com

For custom configuration or fabrication needs, contact our SpecFAB® Division.
 Phone: 302-653-3000 • Fax: 302-653-2065 • e-mail: quotes@eaglegrp.com

Item No.: _____
 Project No.: _____
 S.I.S. No.: _____

Spec-Master® Plate Cabinets

MODELS:

- | | |
|---------------------------------------|---------------------------------------|
| <input type="checkbox"/> P*1548SE-CS | <input type="checkbox"/> P*1848SE-CS |
| <input type="checkbox"/> P*1560SE-CS | <input type="checkbox"/> P*1860SE-CS |
| <input type="checkbox"/> P*1572SE-CS | <input type="checkbox"/> P*1872SE-CS |
| <input type="checkbox"/> P*1584SE-CS | <input type="checkbox"/> P*1884SE-CS |
| <input type="checkbox"/> P*1596SE-CS | <input type="checkbox"/> P*1896SE-CS |
| <input type="checkbox"/> P*15120SE-CS | <input type="checkbox"/> P*18120SE-CS |
| <input type="checkbox"/> P*15144SE-CS | <input type="checkbox"/> P*18144SE-CS |

* See chart on back for complete model numbers.

Construction

- All-welded design.
- Top mechanically polished to satin finish.
- Sound-deadened between stainless steel hat channel and tabletop, between channel and center shelf, and between channel and bottom.
- 1½" (42mm)-diameter type 304 stainless steel legs.
- 1" (25mm) adjustable metal bullet feet.
- 1½" (38mm) sanitary rolled rim on front, with square edge on rear and ends for flush fit.

Material

- Top is 14 gauge type 304 stainless steel reinforced with a full length stainless steel hat channel support.
- Body and center shelf are heavy gauge type 430 stainless steel.
- Available with open front or with 20 gauge type 430 stainless steel hinged doors** or sliding doors**.
- Optional door locks available. To order, add suffix "-L" to model number. Example: PCH1524SE-CS-L

** Units 48"- to 72"-long feature one pair of doors.
 Units 84"- to 144"-long feature two pairs of doors.

Certifications / Approvals



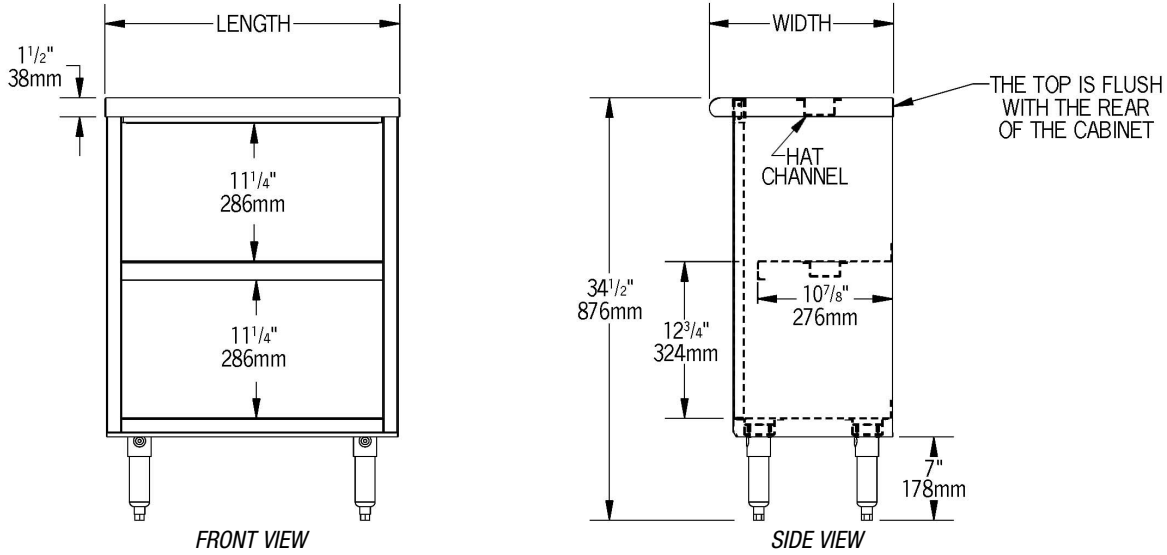
EG10.56 Rev. 05/23

Spec sheets available for viewing, printing or downloading from our online literature library at our websites



Item No.: _____
 Project No.: _____
 S.I.S. No.: _____

Spec-Master® Plate Cabinets



(note: unit with open base shown)

WITH OPEN BASE			WITH SLIDING DOORS			WITH HINGED DOORS			# of legs	width		length	
model #	weight lbs.	weight kg	model #	weight lbs.	weight kg	model #	weight lbs.	weight kg		in.	mm	in.	mm
PC1548SE-CS	185	83.9	PCS1548SE-CS	204	92.5	PCH1548SE-CS	204	92.5	4	15"	381	48"	1219
PC1560SE-CS	232	105.2	PCS1560SE-CS	254	115.2	PCH1560SE-CS	254	115.2	4	15"	381	60"	1524
PC1572SE-CS	278	126.1	PCS1572SE-CS	305	138.4	PCH1572SE-CS	305	138.4	4	15"	381	72"	1829
PC1584SE-CS	324	150.0	PCS1584SE-CS	355	161.0	PCH1584SE-CS	355	161.0	6	15"	381	84"	2134
PC1596SE-CS	371	168.3	PCS1596SE-CS	406	184.2	PCH1596SE-CS	406	184.2	6	15"	381	96"	2438
PC15120SE-CS	463	210.0	PCS15120SE-CS	508	230.4	PCH15120SE-CS	508	230.4	6	15"	381	120"	3048
PC15144SE-CS	557	252.7	PCS15144SE-CS	610	276.7	PCH15144SE-CS	610	276.7	6	15"	381	144"	3658
PC1848SE-CS	190	86.2	PCS1848SE-CS	206	93.4	PCH1848SE-CS	206	93.4	4	18"	457	48"	1219
PC1860SE-CS	237	107.5	PCS1860SE-CS	258	117.0	PCH1860SE-CS	258	117.0	4	18"	457	60"	1524
PC1872SE-CS	284	128.8	PCS1872SE-CS	309	140.2	PCH1872SE-CS	309	140.2	4	18"	457	72"	1829
PC1884SE-CS	331	150.1	PCS1884SE-CS	360	163.3	PCH1884SE-CS	360	163.3	6	18"	457	84"	2134
PC1896SE-CS	378	171.5	PCS1896SE-CS	412	186.9	PCH1896SE-CS	412	186.9	6	18"	457	96"	2438
PC18120SE-CS	474	215.0	PCS18120SE-CS	515	233.6	PCH18120SE-CS	515	233.6	6	18"	457	120"	3048
PC18144SE-CS	568	257.7	PCS18144SE-CS	618	280.3	PCH18144SE-CS	618	280.3	6	18"	457	144"	3658

EAGLE GROUP
 100 Industrial Boulevard, Clayton, DE 19938-8903 USA
 Phone: 302-653-3000 or 800-441-8440 • Fax: 302-653-2065
 www.eaglegrp.com • www.eaglegrpnews.com • www.eaglehmc.com

Printed in U.S.A.
 ©2023 by Eagle Group
 Rev. 05/23

Spec sheets available for viewing, printing or downloading from our online literature library at our websites

Although every attempt has been made to ensure the accuracy of the information provided, we cannot be held responsible for typographical or printing errors. Information and specifications are subject to change without notice. Please confirm at time of order.