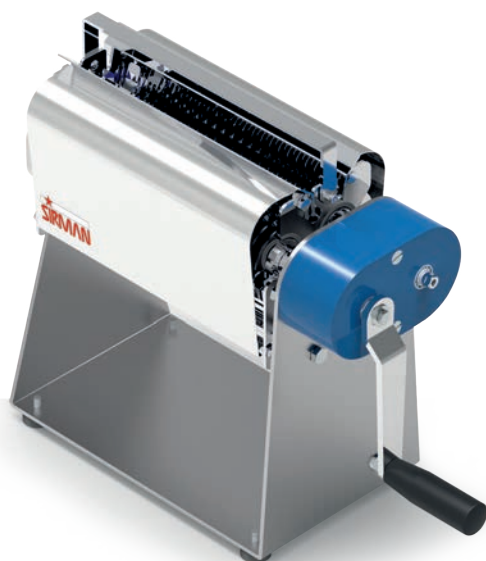


# DRAKE MAN

## Manual steak tenderizer

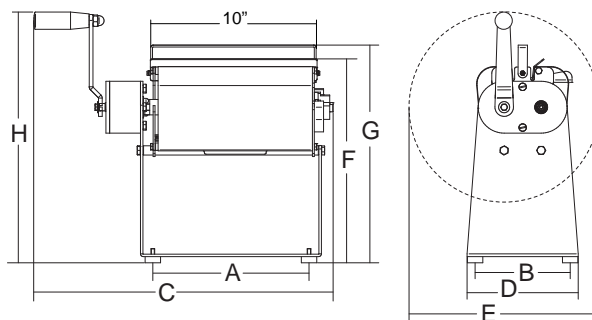
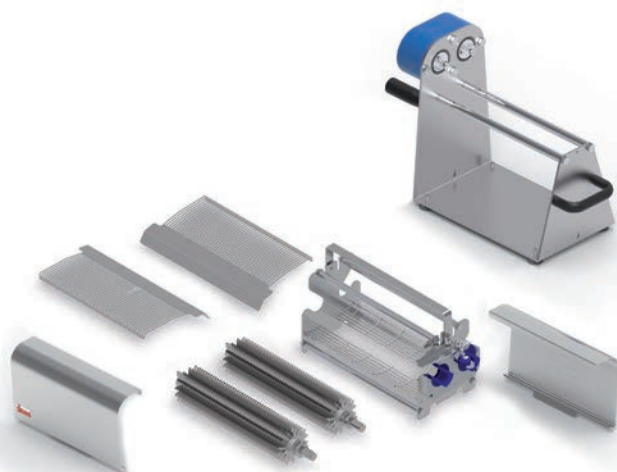


Optional tenderizing blade assembly with 96 blades



Optional cutting blade assembly:  
10 mm with 48 blades  
15 mm with 32 blades

- Stainless steel AISI 304 construction.
- 10" (250mm) feed opening, best in its class.
- Stainless steel AISI 304 blade protection shields.
- Blade cradle is easily removable and changeable.
- Simple removable combs and blade cradle for a thorough sanitation.
- Convenient repositioning of lever for left-handed operators.



	Drum depth	Feed opening	A	B	C	D	E	F	G	H	Net weight	Shipping	Gross weight
	inch.	inch.	inch.	inch.	inch.	inch.	inch.	inch.	inch.	inch.	lbs.	inch.	lbs.
<b>DRAKE MAN</b>	10"	10" x 1 <sup>3</sup> / <sub>16</sub> "	9 <sup>5</sup> / <sub>16</sub> "	6 <sup>1</sup> / <sub>16</sub> "	19 <sup>3</sup> / <sub>32</sub> "	7 <sup>3</sup> / <sub>32</sub> "	12 <sup>1</sup> / <sub>8</sub> "	12 <sup>63</sup> / <sub>64</sub> "	13 <sup>57</sup> / <sub>64</sub> "	15 <sup>53</sup> / <sub>64</sub> "	20	12 <sup>1</sup> / <sub>64</sub> " x 20 <sup>53</sup> / <sub>64</sub> " x 17 <sup>21</sup> / <sub>64</sub> "	25