



REFRIGERATION

SERVING THE FOOD INDUSTRY SINCE 1951

SQUARE GLASS COUNTERTOP REFRIGERATED SHOWCASE

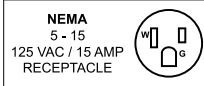
Item: 47424



ATTRACTIVELY DESIGNED TO BOOST IMPLUSE SALES WHILE KEEPING THEIR FRESHNESS AT SAFE TEMPERATURES WITH OMCAN'S SQUARE GLASS COUNTERTOP REFRIGERATED DISPLAY



WARRANTY
PARTS AND LABOR



Authorized Dealer

REFRIGERATION

SQUARE GLASS COUNTERTOP REFRIGERATED SHOWCASE



TECHNICAL SPECIFICATIONS

252 L Square Glass Countertop Refrigerated Showcase

Item	47424
Model	RS-CN-0252-5
Electrical	110V-120V
Power Input	460W
Rated Current	5A
Capacity	252L
Shelf Capacity	25 KG /55.1 lbs
Rack Size	345 x 1444mm / 13.6" x 56.9" 367 x 1461mm / 14.4" x 57.5" 320 x 1461mm / 12.6" x 57.5"
Max. Ambient Temperature	30°C / 86°F
Temperature Range	0 - 12°C / 32 - 53.6°F
Refrigerant	R290
Net Weight	255.7 lbs / 116 kg
Shipping Weight	297.6 lbs / 135 kg
Dimensions (DWH)	1524 x 568 x 686 mm / 60" x 22.4" x 27"
Shipping Dimensions	1595 x 627 x 735 mm / 62.8" x 24.7" x 28.9"

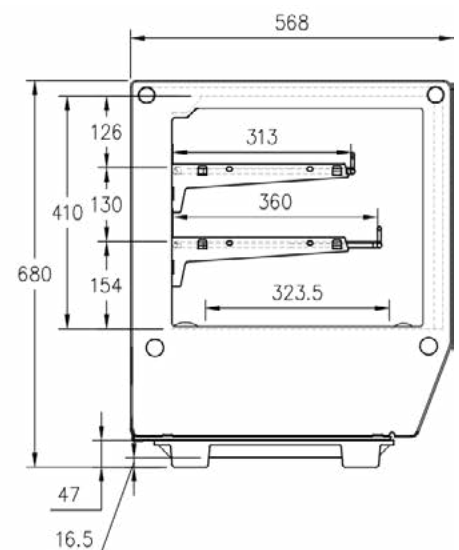
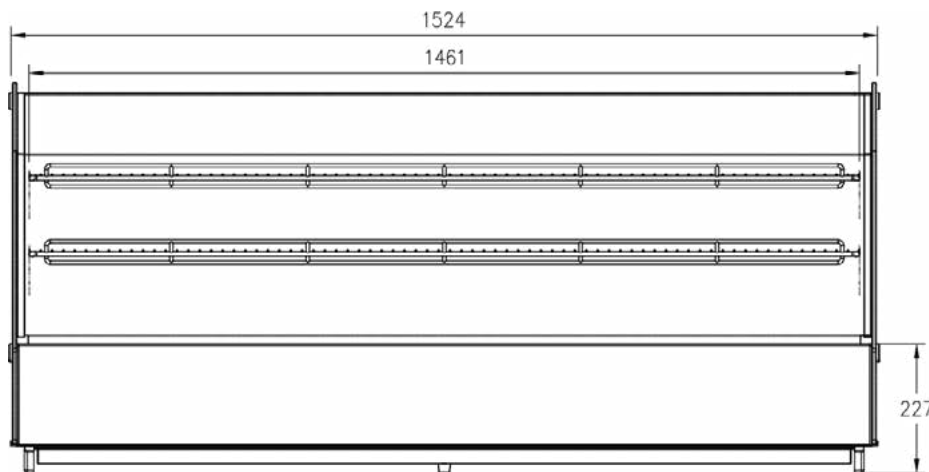
FEATURES

- Brilliant Internal LED illumination on top
- Digital temperature controller and display
- Adjustable chrome plated shelves
- 4 sides double glass
- Front flat glass
- Sliding doors
- Maintenance free condenser
- Ventilated cooling system
- Automatic defrost
- Stainless steel



TECHNICAL DRAWINGS & DIMENSIONS

*measurements in diagrams are in mm



OMCAN INC.

Telephone: 1-800-465-0234
 Fax: (905) 607-0234
 Email: sales@omcan.com
 Website: www.omcan.com



Follow us to keep up to date with the latest news and offers



2017E&OE