



1722 SIDEWINDER POST-MIX DROP IN DISPENSER



FEATURES

Large ice capacity - Ice chest has 85 lb capacity

Adjustable - Standard UFB-1™ fast flow valves

Insulated - Foamed polyurethane insulation

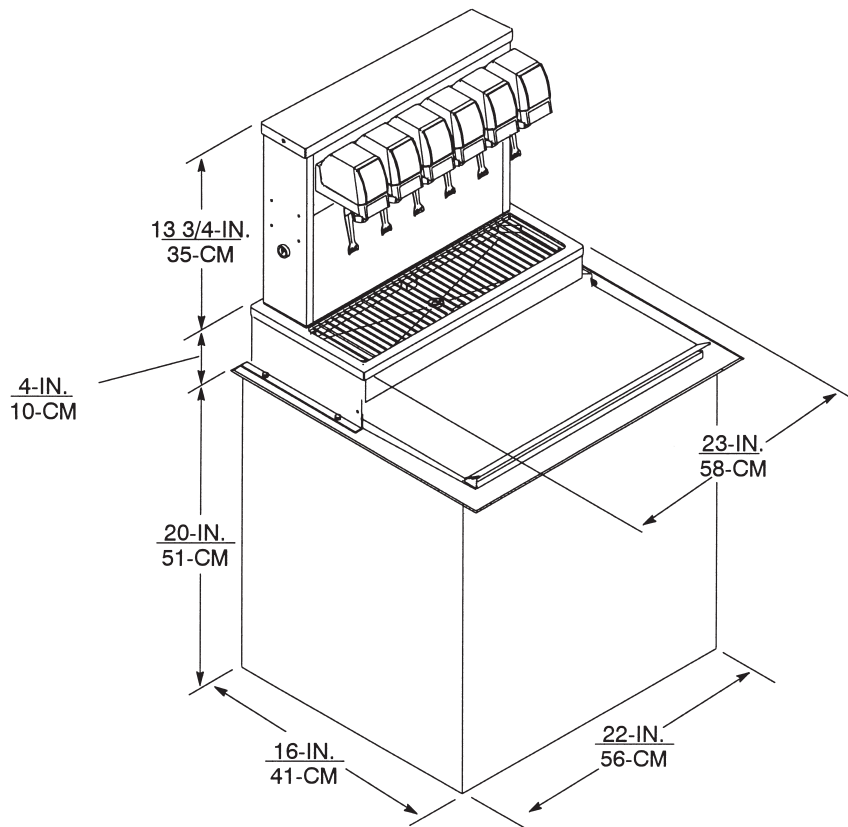
Secure - Key lock switch conveniently located on tower

Durable - All stainless steel construction

Functionality - Extra wide built in drain pan on the dispensing pan

Ease of use - Removable front and back panels on the dispensing tower

Speed - Rated at six 12oz drinks per minute



PART NUMBER	DESCRIPTION
631100047	1722 Drop-in dispenser with Universal Tower and 6 UFB-1™ 2-4 oz sanitary lever valves
630001220	Cabinet stand for 1722 drop-in dispenser, assembled
630001212	Cabinet stand for 1722 drop-in dispenser, not assembled

TECHNICAL SPECIFICATIONS

TYPE OF VALVES UFB-1™ post-mix

NUMBER OF VALVES: 6

CUP CLEARANCE 9.75" (248 mm)

COUNTER TOP CUT OUT 22.25" x 16.25"
(565 mm x 413 mm)

ICE STORAGE CAPACITY 85 lb (35.6 kg)

DRAIN SIZE 0.75" (19.11 mm)
flexible hose

CONNECTION Water: 0.375" (9.5 mm)
barb fitting
Syrup: 0.375" (9.5 mm)
barb fitting

ELECTRICAL REQUIREMENTS . . 120 V / 60 Hz / 1.5 Amps

SHIPPING WEIGHT 155 lb (70 kg)

AGENCY LISTINGS

