

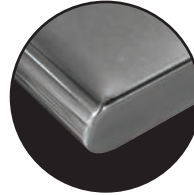


STAINLESS STEEL  
**WORK TABLES**

**STANDARD Series - 5" Backsplash - Open Base Style**



Item #: \_\_\_\_\_ Qty #: \_\_\_\_\_  
 Model #: \_\_\_\_\_  
 Project #: \_\_\_\_\_



**Rolled Rim Edges on Front & Back and Square Side Edges**



**CROSS-BRACING Ensure Stability**

**FEATURES:**

Top is furnished with 1 5/8" sanitary rolled rim edge on front and square sides, and a 5" splash with a 1" return on the rear side.  
 TWO hat channels stud welded to reinforce and maintain a level working surface. 30" and 36" wide tables supplied with THREE hat channels.  
 Pre-engineered welded angle adapters insure ease of future drawer installation.

**CONSTRUCTION:**

All TIG welded. Exposed weld areas polished to match adjacent surfaces.  
 Entire top mechanically polished to a satin finish.  
 Top is sound deadened.  
 Roll formed embossed galvanized hat channels are secured to top by means of structural adhesive and weld studs.  
 Gussets welded to support hat sections.

**MATERIAL:**

**TKMS-SERIES: Stainless Steel Legs - Open Base**  
**TOP:** 16 gauge stainless steel type "304" series.  
**CROSS-BRACING:** Rear: 1 5/8" dia. tubular stainless steel. Sides: 1 1/4" dia. tubular stainless steel.  
**LEGS:** 1 5/8" diameter tubular stainless steel. 1" adjustable stainless steel bullet feet. Stainless steel gussets.

**TKMG-SERIES: Galvanized Legs - Open Base**  
**TOP:** 16 gauge stainless steel type "304" series.  
**CROSS-BRACING:** Rear: 1 5/8" dia. tubular galvanized steel. Sides: 1 1/4" dia. tubular galvanized steel.  
**LEGS:** 1 5/8" diameter tubular, galvanized steel. 1" adjustable plastic bullet feet. Galvanized steel gussets.

**TKMS-Series: Stainless Steel Legs & Cross-Bracing**

L	24" Wide	30" Wide	36" Wide
30"	TKMS-240	TKMS-300	
24"	TKMS-242	TKMS-302	TKMS-362
36"	TKMS-243	TKMS-303	TKMS-363
48"	TKMS-244	TKMS-304	TKMS-364
60"	TKMS-245	TKMS-305	TKMS-365
72"	TKMS-246	TKMS-306	TKMS-366
84"	TKMS-247	TKMS-307	TKMS-367
*96"	TKMS-248	TKMS-308	TKMS-368
*108"	TKMS-249	TKMS-309	TKMS-369
*120"	TKMS-2410	TKMS-3010	TKMS-3610
*132"	TKMS-2411	TKMS-3011	TKMS-3611
*144"	TKMS-2412	TKMS-3012	TKMS-3612

**TKMG-Series: Galvanized Steel Legs & Cross-Bracing**

L	24" Wide	30" Wide	36" Wide
30"	TKMG-240	TKMG-300	
24"	TKMG-242	TKMG-302	TKMG-362
36"	TKMG-243	TKMG-303	TKMG-363
48"	TKMG-244	TKMG-304	TKMG-364
60"	TKMG-245	TKMG-305	TKMG-365
72"	TKMG-246	TKMG-306	TKMG-366
84"	TKMG-247	TKMG-307	TKMG-367
*96"	TKMG-248	TKMG-308	TKMG-368
*108"	TKMG-249	TKMG-309	TKMG-369
*120"	TKMG-2410	TKMG-3010	TKMG-3610
*132"	TKMG-2411	TKMG-3011	TKMG-3611
*144"	TKMG-2412	TKMG-3012	TKMG-3612



\*Units 8 ft. and larger are furnished with six (6) legs

**Create Your Own Efficient Workstation with the Available Standard Accessories (Visit Section K)**



**Customer Service Available To Assist You 1-800-645-3166 8:30 am - 7:00 pm E.S.T.**

For Orders & Customer Service:  
 Email: customer@advancetabco.com or Fax: 631-242-6900

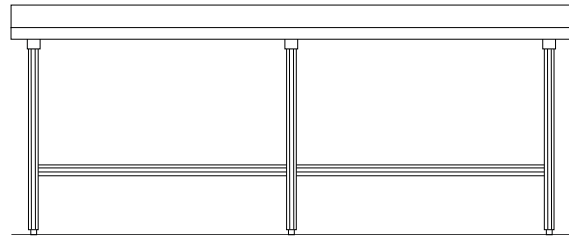
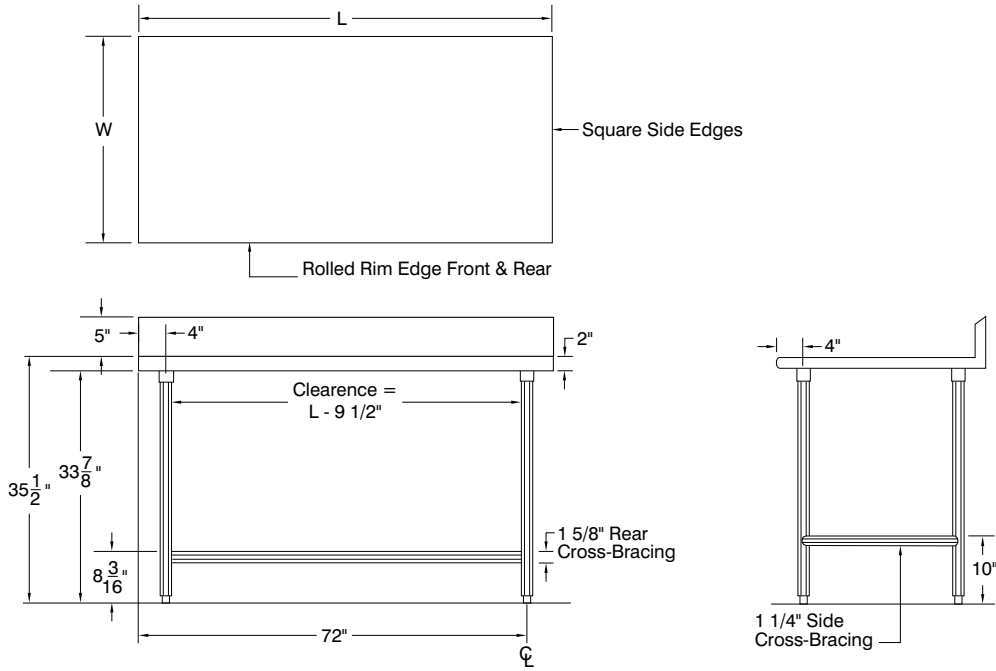
For Smart Fabrication™ Quotes:  
 Email: smartfab@advancetabco.com or Fax: 631-586-2933

# DETAILS and SPECIFICATIONS

ALL DIMENSIONS ARE TYPICAL TOL ± .500"

All Units Shipped Unassembled (KD) for Reduced Shipping Costs.

## STANDARD Series - 5" Backsplash - Open Base Style TKMS & TKMG



Units 8 ft. and larger are furnished with six (6) legs

### TKMS-Series: Stainless Steel Legs & Cross-Bracing

L	24" Wide	Wt.	30" Wide	Wt.	36" Wide	Wt.
30"	TKMS-240	49 lbs.	TKMS-300	55 lbs.		
24"	TKMS-242	43 lbs.	TKMS-302	48 lbs.	TKMS-362	75 lbs.
36"	TKMS-243	55 lbs.	TKMS-303	62 lbs.	TKMS-363	80 lbs.
48"	TKMS-244	67 lbs.	TKMS-304	75 lbs.	TKMS-364	85 lbs.
60"	TKMS-245	77 lbs.	TKMS-305	89 lbs.	TKMS-365	99 lbs.
72"	TKMS-246	89 lbs.	TKMS-306	97 lbs.	TKMS-366	112 lbs.
84"	TKMS-247	107 lbs.	TKMS-307	118 lbs.	TKMS-367	131 lbs.
96"	TKMS-248	119 lbs.	TKMS-308	131 lbs.	TKMS-368	145 lbs.
108"	TKMS-249	135 lbs.	TKMS-309	150 lbs.	TKMS-369	165 lbs.
120"	TKMS-2410	234 lbs.	TKMS-3010	249 lbs.	TKMS-3610	268 lbs.
132"	TKMS-2411	258 lbs.	TKMS-3011	276 lbs.	TKMS-3611	298 lbs.
144"	TKMS-2412	273 lbs.	TKMS-3012	291 lbs.	TKMS-3612	313 lbs.

### TKMG-Series: Galvanized Steel Legs & Cross-Bracing

L	24" Wide	Wt.	30" Wide	Wt.	36" Wide	Wt.
30"	TKMG-240	49 lbs.	TKMG-300	55 lbs.		
24"	TKMG-242	43 lbs.	TKMG-302	48 lbs.	TKMG-362	75 lbs.
36"	TKMG-243	55 lbs.	TKMG-303	62 lbs.	TKMG-363	80 lbs.
48"	TKMG-244	67 lbs.	TKMG-304	75 lbs.	TKMG-364	85 lbs.
60"	TKMG-245	77 lbs.	TKMG-305	89 lbs.	TKMG-365	99 lbs.
72"	TKMG-246	89 lbs.	TKMG-306	97 lbs.	TKMG-366	112 lbs.
84"	TKMG-247	107 lbs.	TKMG-307	118 lbs.	TKMG-367	131 lbs.
96"	TKMG-248	119 lbs.	TKMG-308	131 lbs.	TKMG-368	145 lbs.
108"	TKMG-249	135 lbs.	TKMG-309	150 lbs.	TKMG-369	165 lbs.
120"	TKMG-2410	234 lbs.	TKMG-3010	249 lbs.	TKMG-3610	268 lbs.
132"	TKMG-2411	258 lbs.	TKMG-3011	276 lbs.	TKMG-3611	298 lbs.
144"	TKMG-2412	273 lbs.	TKMG-3012	291 lbs.	TKMG-3612	313 lbs.

