



4184 E. Conant st.
 Long Beach, CA 90808
 Tel. 800-500-3519
 Fax. 310-900-1066
www.turboairinc.com

Project :	
Model # :	
Item # :	Qty :
Available W/H :	
Approval :	

Light Duty Slicer

*Light Duty
 Economy Slicers*

Model : GS-12LD



≡ FEATURES & BENEFITS ≡

- **Powerful knife motor**
 1/2HP knife motor assures peak performance.
- **Ergonomic style chute handle**
 Comfortable and stable ergonomic style grip on the chute handle provides easy glide manual operation.
- **Top mount knife sharpener**
 Sharpener won't get lost or dropped, aligns consistently to the knife and provides single step for easy maintenance. Swings away from food contact area when not in use.
- **Slice thickness adjustment**
 Precise thickness adjustment lets you slice from tissue thin to 9/16" & 7/16" thick.
- **Hard chromed, hollow ground knife**
- **Aluminum construction**
- **Removable safety knife cover**
- **Metal plate protects underside of slicer**
- **Fan cooled, permanently lubricated ball bearing motor**
- **Easy to clean surfaces for a healthier work environment**
- **Compact, yet powerful**
- **Easy to remove slice deflector**



Model	Motor HP	Diameter of Knife (inches)	Crated Weight (lbs.)	L x D x H (inches)
GS-12LD	1/2	12	60	24³/₄ x 20⁷/₈ x 18¹/₂

Model : GS-12LD

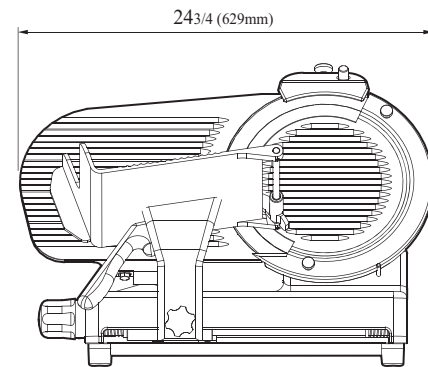
ELECTRICAL DATA	
Motor	1/2HP • 1PH • 115V • 60Hz
DIMENSIONAL DATA	
Diameter of Knife (in.)	12
Cut Thickness (in.)	Max slice thickness
	7/16 thick
Ext. Length Overall (in.)	24 ³ / ₄ (629mm)
Ext. Depth Overall (in.)	20 ⁷ / ₈ (531mm)
Ext. Height Overall (in.)	18 ¹ / ₂ (470mm)
Gross Weight (lbs.)	60
Net Weight (lbs.)	54

Design and specifications subject to change without notice.
Actual shipping weight may differ due to extra packing materials for product protection.

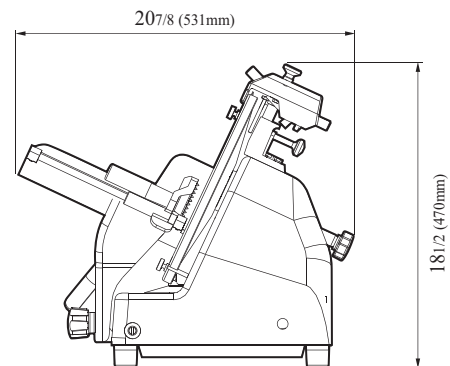
■ **WARRANTY : 1 Year Parts and Labor Warranty**

PLAN VIEW

(unit : inch)



FRONT VIEW



SIDE VIEW

Ver.201601



- Turbo Air : 800-627-0032 ■ GK : 800-500-3519
- Warranty : 800-381-7770 ■ AC : 888-900-1002