

TECHNICAL DATA

Dimensions

Exterior Dimensions (WxDxH)	70.75" x 33.5" x 47.25"
Interior Dimensions (WxDxH)	67"x 27" x 22"
Cubic Feet	20.5 cu.ft.
Shelf Depths:	Shelf 1: 12" Shelf 2: 16" Shelf 3: 21"
Gross Weight	655 lbs
Packaging Dimensions (WxDxH)	74.5" x 36.25" x 51"

Construction

Exterior Material	201 series stainless steel
Interior Material	Glass
Insulation Material	Foamed in place polyurethane
Shelf Load Capacity	44 lbs

Cooling

Temperature Range	33° - 40° F
Refrigerant	R290
Maximum Ambient Temperature Rating	90° F
Defrosting	Automatic
Temperature Display	Yes
Temperature Controller	Mechanical
H/P	3/4

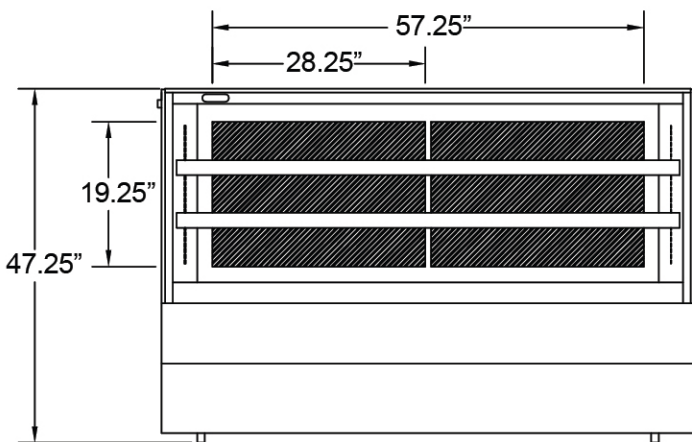
Electrical

Voltage	110
Amps	13.5
Hz	60
Phase	1

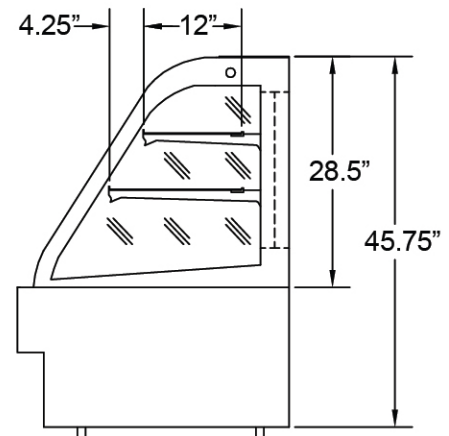
PLAN VIEW



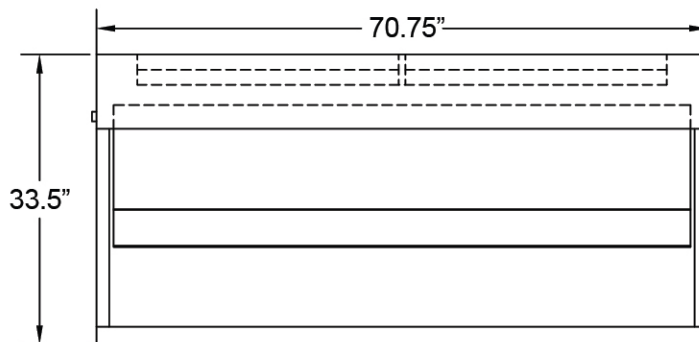
COMPLIES WITH ANSI/NSF 7 FOR FOOD SERVICE



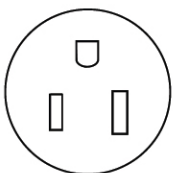
Front View



Side View



Top View



NEMA 5-15P