



Profit from the Eagle Advantage®

# Specification Sheet

Item No.: \_\_\_\_\_  
 Project No.: \_\_\_\_\_  
 S.I.S. No.: \_\_\_\_\_

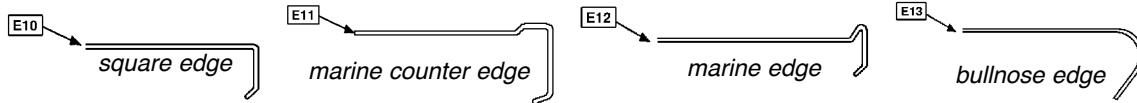
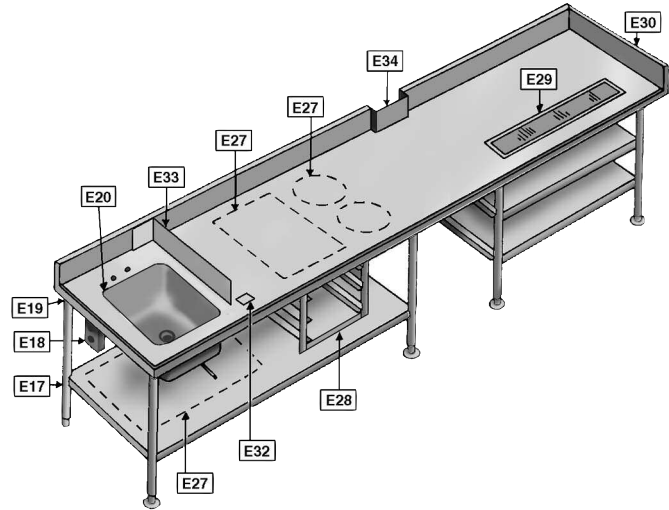
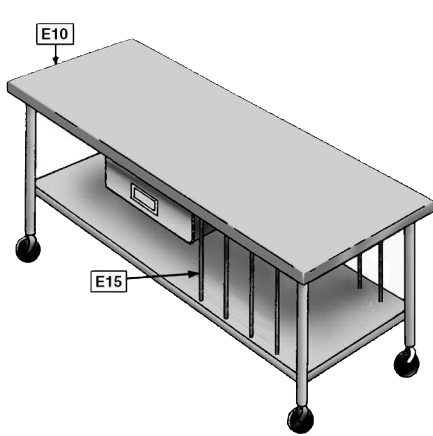
Catalog Specification Sheet No. **EG10.50**

Table Modifications

## Table Modifications and Accessories

For complete list of E# models and description, see chart below and chart on back page.

Refer to chart below for description of E# models.



model #	description
<b>E10</b>	Square edge table - front and/or rear
<b>E11</b>	Marine counter edge
<b>E12</b>	"V" type marine edge
<b>E13</b>	Bullnose edge
<b>300698</b>	Casters - 4" (102mm)-diameter with brake
<b>300699</b>	Casters - 4" (102mm)-diameter without brake
<b>317635</b>	Casters - 5" (127mm)-diameter with brake
<b>317636</b>	Casters - 5" (127mm)-diameter without brake
<b>300692</b>	Bullet feet - stainless steel
<b>301036</b>	Bullet feet - white metal
<b>300293</b>	Bullet feet - plastic

model #	description
<b>313835</b>	Stainless steel flanged bullet feet
<b>E15</b>	Vertical tray dividers - 4-section assembly, 3" on centers
<b>E17</b>	Special height legs
<b>E18*</b>	Duplex receptacle and mounting plate (under table)
<b>E18.1*</b>	Duplex receptacle in splash (requires at least 6"-high splash)
<b>E18.2*</b>	Pedestal duplex receptacle (top of table or overshelf)
<b>E19</b>	Stainless steel gussets

### NOT PICTURED

model #	description
<b>606329</b>	Scrap chute, 6" (152mm)-diameter
<b>606331</b>	Knife rack (fits rolled rim, poly, and square edge tables)

\* For GFI receptacle, add "-GFI" to E number (example: E18.1-GFI).

**EAGLE GROUP**  
 100 Industrial Boulevard, Clayton, DE 19938-8903 USA  
 Phone: 302-653-3000 • Fax: 302-653-2065  
 www.eaglegrp.com

**Foodservice Division: Phone 800-441-8440**  
**MHC/Retail Display Divisions: Phone 800-637-5100**

For custom configuration or fabrication needs, contact our **SpecFAB® Division**.  
 Phone: 302-653-3000 • Fax: 302-653-2065 • e-mail: quotes@eaglegrp.com



EG10.50 Rev. 09/18

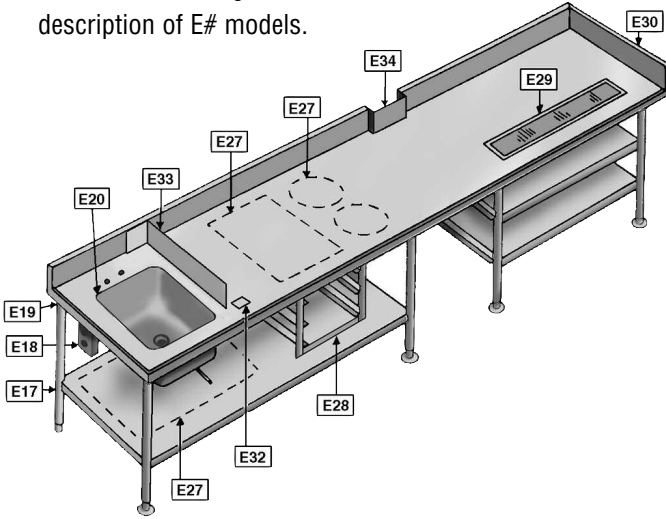
Spec sheets available for viewing, printing or downloading from our online literature library at [www.eaglegrp.com](http://www.eaglegrp.com)



Profit from the Eagle Advantage®

# Table Modifications and Accessories

Refer to chart at right for description of E# models.



Item No.: \_\_\_\_\_  
 Project No.: \_\_\_\_\_  
 S.I.S. No.: \_\_\_\_\_

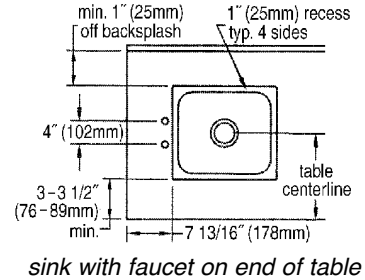
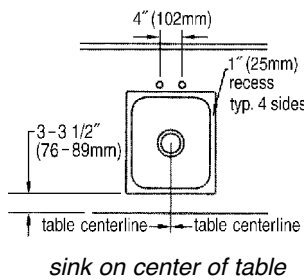
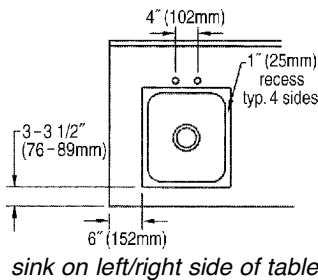
model #	description
Sinks — complete with faucet and basket drain (Specify location)	
<b>E20</b>	- 10" x 14" x 9.5" bowl (254 x 356 x 241mm)
<b>E21</b>	- 14" x 16" x 9.5" bowl (356 x 406 x 241mm)
<b>E22*</b>	- 16" x 20" x 8" bowl (406 x 508 x 203mm)
<b>E23*</b>	- 16" x 20" x 14" bowl (406 x 508 x 356mm)
<b>E24*</b>	- 18" x 20" x 14" bowl (457 x 508 x 356mm)
<b>E24A*</b>	- 20" x 20" x 14" (508 x 508 x 356mm)
<b>E25</b>	- 24" x 24" x 14" bowl (610 x 610 x 356mm) for 36" (914mm)-wide tables
<b>313304</b>	T&S faucet upgrade - deck mount 4" (102mm) centers
<b>300720</b>	Lever drain - 1.5" I.P.S. (38mm)
<b>300721</b>	Lever drain - 2" I.P.S. (51mm)
<b>300722</b>	Lever drain - 2" I.P.S. (51mm) with overflow
<b>341189**</b>	Twist handle drain - 1.5" I.P.S. (38mm)
<b>336002**</b>	Twist handle drain - 2" I.P.S. (51mm)
<b>341190**</b>	Twist handle drain - 2" I.P.S. (51mm) with overflow
<b>E27</b>	Top cutout - square or round (Specify location)
<b>E28</b>	Angle slides for pans, up to six pairs (Specify location and pan size)
<b>E29</b>	Urn trough, 4.5" wide x 1.25" deep (114 x 32mm) with 1.5" (38mm) drain, complete with louvered grate. (Length must be maximum of 6" shorter than table. Specify location.)
<b>E30</b>	End splash — per end (Specify end), all heights
<b>E31</b>	1.5" (38mm) rear upturn for undershelf
<b>E32</b>	Can opener hole with under table support (Specify location)
<b>E33</b>	Sink splash — single thickness, 4" tall (102mm)
<b>E34</b>	Column cutout (Send floor plan/sketch)

### NOT PICTURED

model #	description
<b>E35</b>	16 gauge s/s apron in front of sinks or cutouts
<b>E36</b>	Fully welded - top, undershelf & legs
<b>E36A</b>	Welded base only - undershelf & legs
<b>E37</b>	NSF sprayed-on sound deadening up to 12' (3658mm)
<b>E37A</b>	- for each additional foot
<b>E38-6***</b>	Cantilever mount up to 6' (1829mm)
<b>E38-12***</b>	Cantilever mount up to 12' (3658mm)
<b>E39</b>	Enclosed backplash

\* These sink bowls will not fit in a table any less than 30" (762mm) wide.  
 \*\* Optional twist drain brackets available for use with twist handle drains.  
 \*\*\* Applicable to wall mount shelves and pot racks.

### Optional Sinks Built Into Tables – Standard Locations



**EAGLE GROUP**  
 100 Industrial Boulevard, Clayton, DE 19938-8903 USA  
 Phone: 302-653-3000 • Fax: 302-653-2065  
 www.eaglegrp.com

Foodservice Division: Phone 800-441-8440  
 MHC/Retail Display Divisions: Phone 800-637-5100

Printed in U.S.A.  
 ©2018 by Eagle Group  
 Rev. 09/18

Spec sheets available for viewing, printing or downloading from our online literature library at [www.eaglegrp.com](http://www.eaglegrp.com)

Although every attempt has been made to ensure the accuracy of the information provided, we cannot be held responsible for typographical or printing errors. Information and specifications are subject to change without notice. Please confirm at time of order.