

# PPJ 10 - 20 SC

Potato peelers



PPJ 10 SC



PPJ 20 SC

- AISI 304 stainless steel body.
- Transmission system with self-tensioning belt Poliv.
- High efficiency ventilated motors for continuous operation.
- Stainless peeling disc.
- PPJ abrasive walls with easily replaceable mantle by the operator.
- Bath and easily removable bottom peeling without tools and dishwasher safe (patented).
- Exhaust system automatically potatoes.
- Exhaust vent in stainless steel with quick and sealed locking.

## Specifications

**Plug & Cord:** NEMA 5-15 P (PPJ 10 - 110V)  
NEMA 6-15 P (PPJ 20 - 220V)



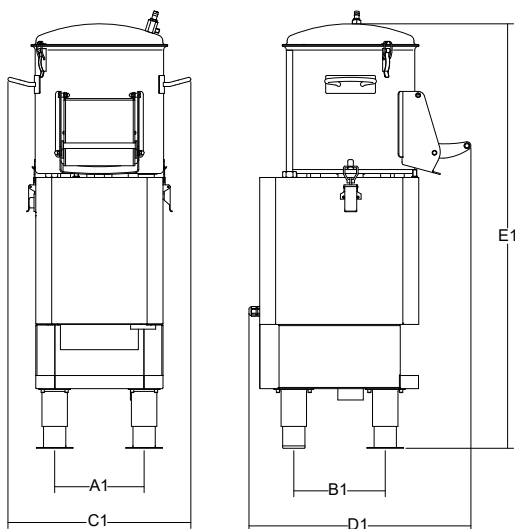
The easiest and most thorough sanitation



Potato peeler abrasive



Optional trestle with sieve

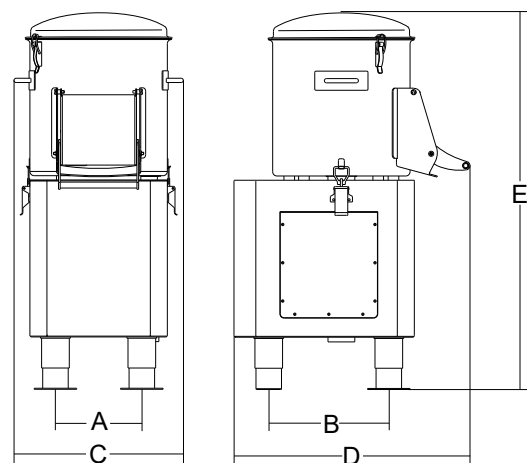


**PPJ/LCJ 10 SC**

- A1 = inch. 8<sup>55/64</sup>"
- B1 = inch. 9<sup>1/16</sup>"
- C1 = inch. 18<sup>7/64</sup>"
- D1 = inch. 22<sup>3/64</sup>"
- E1 = inch. 42<sup>1/8</sup>"

**PPJ 20 SC**

- A1 = inch. 12<sup>63/64</sup>"
- B1 = inch. 12<sup>13/64</sup>"
- C1 = inch. 22<sup>3/64</sup>"
- D1 = inch. 25<sup>19/32</sup>"
- E1 = inch. 47<sup>41/64</sup>"



	Power	Power source	Drum revolutions	Tank capacity	A	B	C	D	E	Net weight	Shipping	Gross weight
	watt		r.p.m.	qt	inch.	inch.	inch.	inch.	inch.	lbs.	inch.	lbs.
<b>PPJ 10 SC</b>	735	110V, 60Hz	320	21	8 <sup>57/64</sup> "	11 <sup>3/16</sup> "	18 <sup>7/64</sup> "	22 <sup>3/64</sup> "	35 <sup>3/64</sup> "	91	28 <sup>1/32</sup> " x 22 <sup>7/16</sup> " x 47 <sup>1/4</sup> "	114
<b>PPJ 20 SC</b>	1.000	220V, 60Hz, 6.5 Amp +/- 10%	275	37	12 <sup>3/64</sup> "	15 <sup>5/32</sup> "	22 <sup>3/64</sup> "	25 <sup>19/32</sup> "	41 <sup>17/32</sup> "	115	25 <sup>13/64</sup> " x 29 <sup>59/64</sup> " x 55 <sup>1/8</sup> "	137