



# BEVERAGE-AIR

Project: _____	AIA#
Item: _____	
Location: _____	SIS#
Approved: _____	

**RBS-054-SA-HC BLAST CHILLER/SHOCK REACH-IN FREEZER**

## REACH-IN BLAST CHILLER R290

### RBS-054-SA-HC Solid Door Self-Contained Blast Chiller

**MODEL:  
RBS-054-SA-HC**

**3 Year Parts/Labor Warranty  
5 Year Compressor Warranty**

### CABINET CONSTRUCTION



- Stainless steel exterior and interior
- Die-formed interior floor has rounded corners
- Central drain for easy cleaning
- Anti-condensation perimeter heating around door opening
- Ergonomic vertical door handle and stainless steel
- Snap in place magnetic gaskets self closing door with hold open stop at 100°
- Soft and hard, timed or core probe blast chilling
- Soft and hard, timed or core probe shock freezing
- Automatic recognition of core probe
- Multi point sensor temperature display button
- Core probe heater button
- HACCP alarm display button
- Pre-cooling cycle button
- Adjustable evaporator fan speed button
- Timed manual defrost button
- USB data recorder
- Infinity mode program with adjustable set point
- Automatic conservation mode at end of cycle
- On board recipe book with 68 pre-set programs
- 99 Free memory positions for custom programs
- LCD illuminated temperature display
- Real time clock
- Unit comes standard with five (5) wire rod tray slides
- One, high precision heated multi sensor probe
- Stainless steel feet

### OPTIONS & ACCESSORIES

- Single sensor probes (up to 4 possible)
- Change door swing
- Casters with brakes

### REFRIGERATION SYSTEM

- Self-contained refrigeration system uses R290 refrigerant to comply with all environmental concerns
- Evaporator fitted with a high flow rate fan insures maximum cooling efficiency
- Indirect air flow assures highest product quality
- Manual defrosting with door open on a timed cycle
- Blast chilling (194°F to 37°F in 90 minutes) or shock freezing (194°F to 0°F in 240 minutes) cycles



Please verify qualifying units by visiting:  
[www.energystar.gov/cfs](http://www.energystar.gov/cfs)

3779 Champion Blvd., Winston-Salem, NC 27105  
1-888-845-9800 Fax: 1-336-245-6453  
Beverage-Air.com Sales@bevair.com



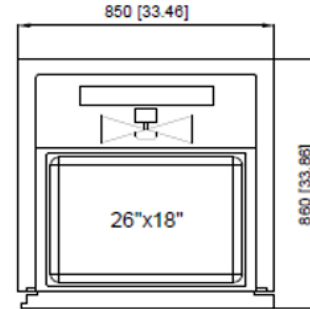
# BEVERAGE-AIR®

MODEL		RBS-054-SA-HC
<b>EXTERNAL DIMENSIONAL DATA</b>		
Width Overall (in)		33.46"
Depth Overall (in)		34.65"
Height Overall (in)		35.43"
Number of Doors		1
Width, Door Opening 90° (in)		34"
Door Opening (in)		28.74" x 15.75"
<b>PERFORMANCE DATA</b>		
Sheet Pan Capacity (18" x 26") (pans not included)		5
Steam Table Pan Capacity (12" x 20") (pans not included)		5
Chilling Capacity In 90 Min		45 lbs
Freezing Capacity In 240 Min		30 lbs
Climate Class		5
<b>ELECTRICAL DATA</b>		
Cabinet Voltage		208-240/60/1
Total Amperes		6.6
NEMA Plug		6-15P
<b>REFRIGERATION DATA</b>		
Condensing Unit Size, HP		1
Refrigerant		R290
Capacity (BTU/HR) (113°F/-13°F)		2,985
Capacity (BTU/HR) (104°F/14°F)		6,033
<b>WEIGHT DATA</b>		
Gross Weight - Crated		418 lbs
Height - Crated		46"
Width - Crated		38"
Depth - Crated		40"

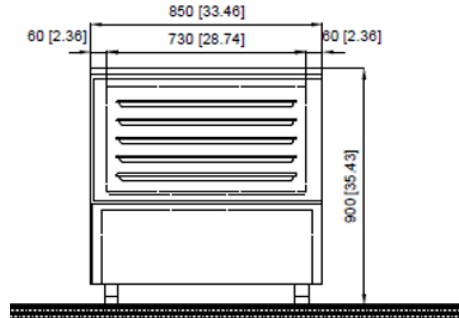
We reserve the right to change specifications and product design without notice. Such revisions do not entitle the buyer to corresponding changes, improvements, additions or replacements for previously purchased equipment. Dimensional tolerances +/- 1/4". Metric dimensions (MM).

## Self-Contained Blast Chiller/Shock Reach-In Freezer Model: RBS-054-SA-HC

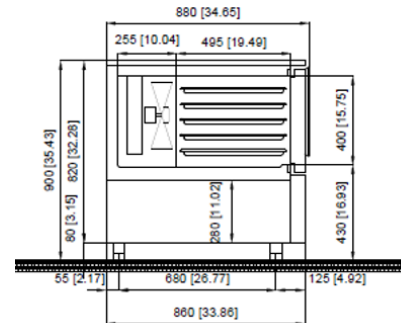
### Model Views



### PLAN VIEW



### ELEVATION VIEW



### SIDE VIEW

