

MADE IN ITALY



Models:

HIGHLANDER-E

HIGHLANDER-G

Standard Features

- Ideal for Steakhouse finding the perfect cooking solution
- Strong design all in Stainless Steel 304
- Also available in 316SS by special request
- Fast warm up time: Ready to cook in 3 min.
- Cooking grid is Height Adjustable.
- Grease Collectors are Removable.
- All parts are removable and Dishwasher Safe
- Painted Versions available by request in Red and Black
- Marine 316 Stainless Steel available by request.



HIGHLANDER



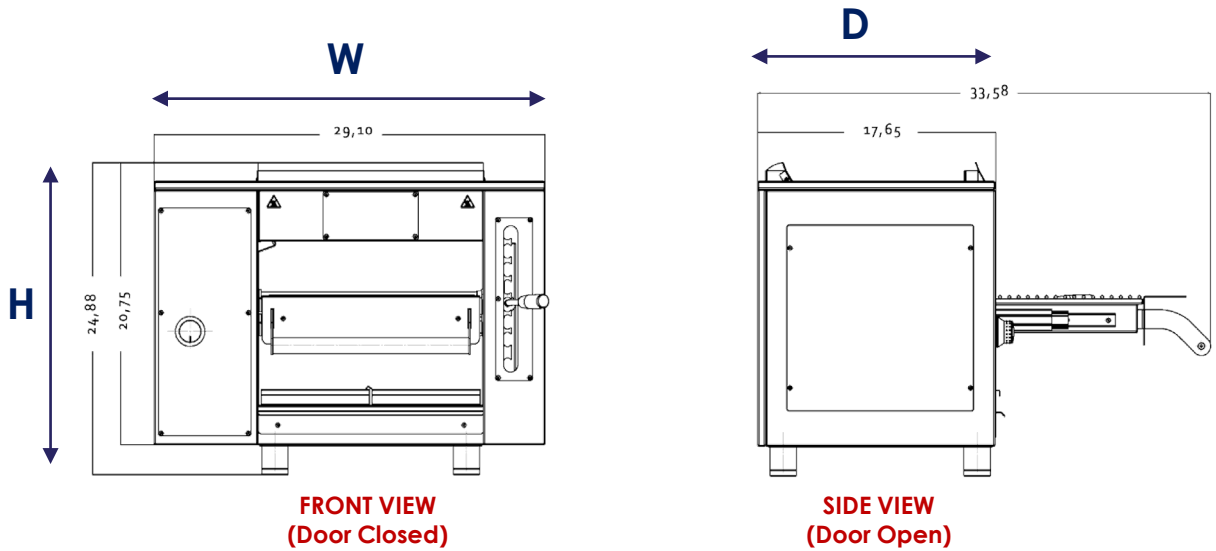
With simplicity,
without intervention,
and without know-how,

**Transform your venue
into a real steakhouse**

1-year parts and labor warranty (US Only)

ampto.com

OVERFIRE BROILERS



**FRONT VIEW
(Door Closed)**

**SIDE VIEW
(Door Open)**

SPECIFICATIONS		
	HIGHLANDER-E	HIGHLANDER-G
Type	Electric	Gas
Gas Inlet		1/2" NPT
Gas Consumption		Propane Pressure 10 IWC 5.5 kW 18,766 BTU/H Natural Gas Pressure 5 IWC 6 kW 20,427 BTU/H
Temperature (Element)	(1 - Glass Ceramic Infrared) 1562°F (850°C)	(1 - Infrared Burner) 1562°F (850°C)
Cooking Grid Dimensions W x D	15.23" x 14.72" (38.7 x 37.4 cm)	
Lighting	Energy Regulator	Piezoelectric
Power Supply	220V/60Hz/1ph	
Amps	27.8	
Plug / Connection	No Plug - No Cord	
Product Dimensions (WxDxH)	29.1" x 22.63" x 24.88" (74 x 57.5 x 63.2 cm)	
Weight	117 lbs (53 Kg)	
Stand Shipping Dim. (WxDxH)	30" x 43" x 34"	



Notes:

- Properly clean and dry after daily use to ensure best performance and equipment longevity.



HIGHLANDER-E
No Plug
No Cord

AMPTO is continuously improving products. Specifications are subject to change without notice.

MADE IN ITALY



Models:

HEREFORD-E / HEREFORD-G

Standard Features

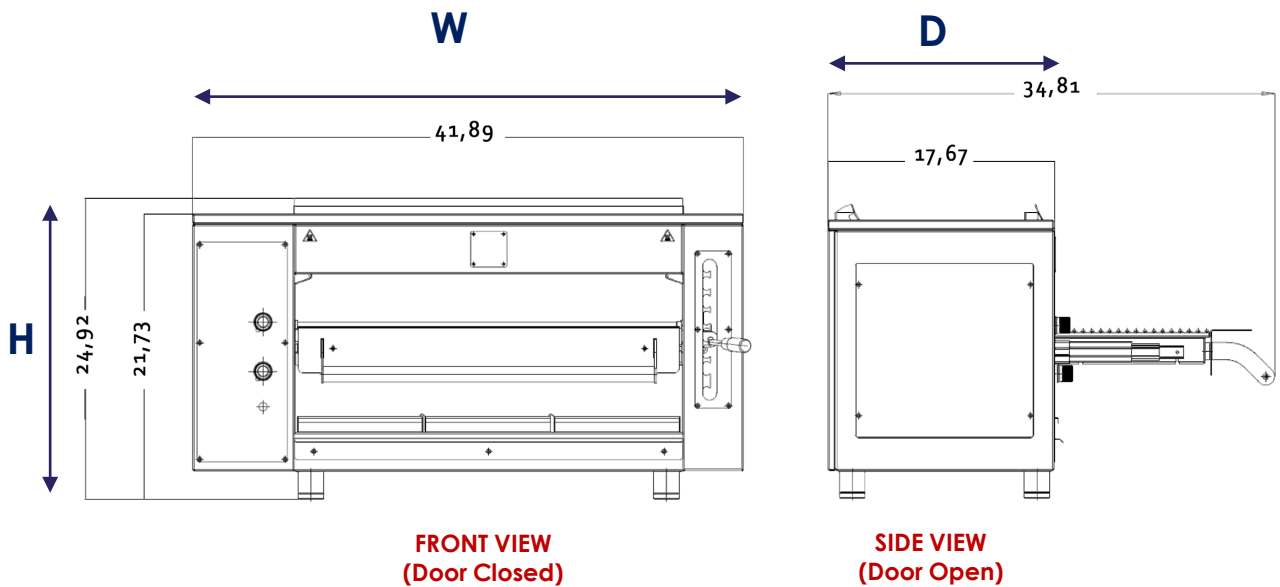
- Ideal for Steakhouse finding the perfect cooking solution
- Strong design all in Stainless Steel 304
- Also available in 316SS by special request
- Fast warm up time: Ready to cook in 3 min.
- Cooking grid is Height Adjustable.
- Grease Collectors are Removable.
- All parts are removable and Dishwasher Safe
- Painted Versions available by request in Red and Black
- Marine 316 Stainless Steel available by request.



With simplicity,
without intervention,
and without know-how,
**Transform your venue
into a real steakhouse**

1-year parts and labor warranty (US Only)

ampto.com



SPECIFICATIONS		
	HEREFORD-E	HEREFORD-G
Type	Electric	Gas
Gas Inlet		1/2" NPT
Consumption		Propane Pressure 10 IWC 11 kW 37,532 BTU/H Natural Gas Pressure 5 IWC 12 kW 40,854 BTU/H
Temperature (Element)	(2 - Glass Ceramic Infrared) 1562°F (850°C)	(2 - Infrared Burner) 1562°F (850°C)
Cooking Grid Dimensions W x D	27.95" x 14.72" (28 x 37.4 cm)	
Lighting	Energy Regulator	Piezoelectric
Power Supply	220V/60Hz/3ph	
Amps	29.2	
Plug / Connection	No Plug - No Cord	
Product Dimensions (WxDxH)	41.89" x 22.63" x 24.92" (106.4 x 57.5 x 63.3 cm)	
Weight	209 lbs (94.8 Kg)	
Stand Shipping Dim. (WxDxH)	30" x 43" x 34"	



Notes:

- Properly clean and dry after daily use to ensure best performance and equipment longevity.



HEREFORD-E
No Plug
No Cord

AMPTO is continuously improving products. Specifications are subject to change without notice.

MADE IN ITALY



Models:

ABERDEEN-E / ABERDEEN-G

Standard Features

- Ideal for Steakhouse finding the perfect cooking solution
- Strong design all in Stainless Steel 304
- Also available in 316SS by special request
- Fast warm up time: Ready to cook in 3 min.
- Cooking grid is Height Adjustable.
- Grease Collectors are Removable.
- All parts are removable and Dishwasher Safe
- Painted Versions available by request in Red and Black
- Marine 316 Stainless Steel available by request.



ABERDEEN



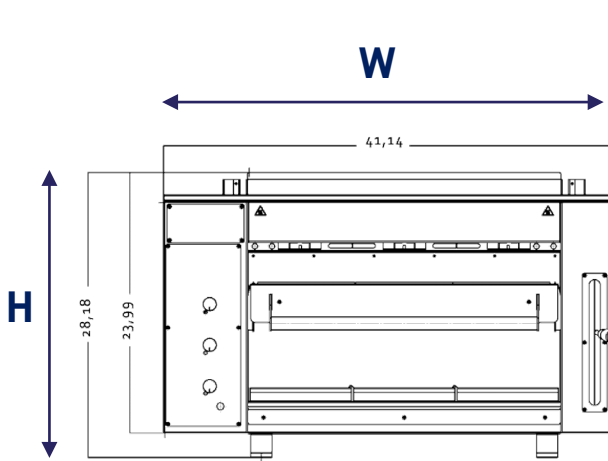
With simplicity,
without intervention,
and without know-how,

**Transform your venue
into a real steakhouse**

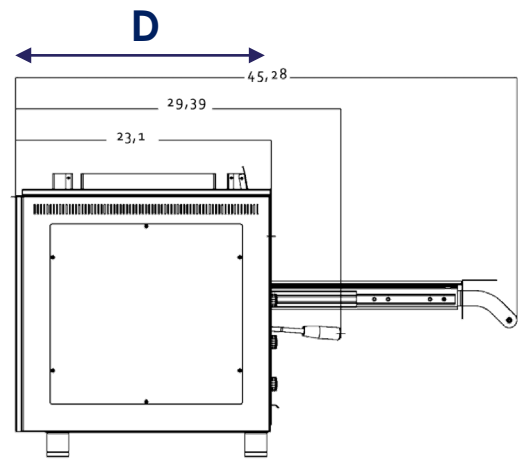
1-year parts and labor warranty (US Only)

ampto.com

OVERFIRE BROILERS



**FRONT VIEW
(Door Closed)**



**SIDE VIEW
(Door Open)**

SPECIFICATIONS		
	ABERDEEN-E	ABERDEEN-G
Type	Electric	Gas
Gas Inlet		1/2" NPT
Gas Consumption		Propane Pressure 10 IWC 16.5 kW 56,298 BTU/H Natural Gas Pressure 5 IWC 18 kW 61,281 BTU/H
Temperature (Element)	(3 - Glass Ceramic Infrared) 1562°F (850°C)	(3 - Infrared Burner) 1562°F (850°C)
Cooking Grid Dimensions W x D	26.85" x 18.66" (68.2 x 47.4 cm)	
Lighting	Energy Regulator	Piezoelectric
Power Supply	220V/60Hz/3ph	
Amps	37.9	
Plug / Connection	No Plug - No Cord	
Product Dimensions (WxDxH)	41.14" x 29.39" x 28.18" (104.5 x 74.7 x 71.6 cm)	
Weight	247 lbs (112 Kg)	
Stand Shipping Dim. (WxDxH)	30" x 43" x 34"	



Notes:

- Properly clean and dry after daily use to ensure best performance and equipment longevity.



ABERDEEN-E
No Plug
No Cord

AMPTO is continuously improving products. Specifications are subject to change without notice.

OVERFIRE BROILERS ACCESSORIES



MADE IN ITALY



SPECIFICATIONS

	Electric		Gas
WGA20 Skewer		WGA24 Black High Performance Grid Kit (HIGHLANDER)	
WGA21 Skewer XL		WGA24 Black High Performance Grid Kit (HEREFORD)	
WGA22 Grid XL		WGA24 Black High Performance Grid Kit (ABERDEEN)	
WGTPRO Grill PRO Table		WGA23 Fish Holder	
WGA18 Spray Cleaner			



MADE IN ITALY



HIGHLANDER



HEREFORD



ABERDEEN



Passion for Success

WHAT TO KNOW

Product Categories Applications

Application	Over-Fired Broiler	Cheesemelter	Salamander	Conveyor Broiler
Melt/Brown Cheeses	Yes	Yes	Yes	Yes
Toast Breads	Yes	Yes	Yes	Yes
Broil Fish and Vegetables	Yes	Yes	Yes	Yes
Caramelize Proteins	Yes	No	Yes	Yes
Cook Large Quantities of Food	Yes	No	No	Yes
Food Production Capability	No	No	No	Yes
Cook Thick Pieces of Proteins	Yes	No	No	No
Finish Proteins	Yes	No	Yes	Yes
Retherm	Yes	Yes/No	Yes	Yes

Electric Broiler in the US Market

		American Range	Garland/US Range	Jade	Montague	Southbend	Vulcan
Gas	Yes	Yes	Yes	Yes	Yes	Yes	Yes
Electric	Yes	No	No	No	No	No	No



Fast warm up time, 3 minutes and the unit is ready!



Up to 1562°F / 850°C