



COOKING EQUIPMENT

SERVING THE FOOD INDUSTRY SINCE 1951

STEP-UP GAS HOTPLATE

Item: 44198

Model: CE-CN-0212-S

Item: 44199

Model: CE-CN-0424-S

Item: 44200

Model: CE-CN-0636-S

These step up hot plates are available in 2, 4 and 6 burner configurations, with individually controlled burners and heavy-duty cast iron grilling grates. These units offer flexibility allowing you to expand your menu offer.



Item 44200

Item 44199

Item 44198



Authorized Dealer



WARRANTY
PARTS AND LABOR



COOKING EQUIPMENT

2 BURNERS 12" STEP-UP GAS HOTPLATE



Countertop Stainless Steel Step-up Gas Hot Plates With 2 Burners

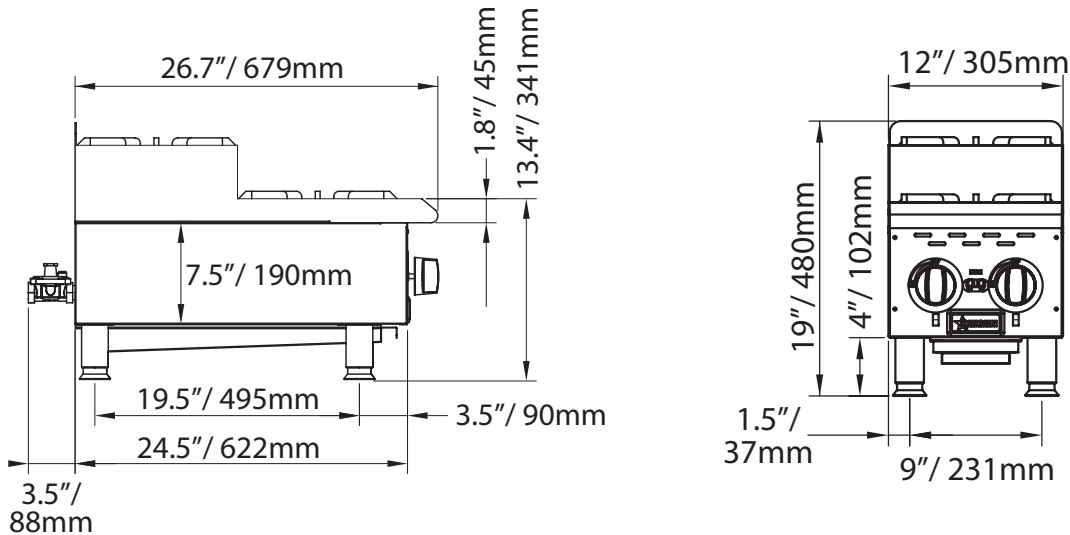


- Stainless steel construction
- Heavy-duty cast iron grilling grates
- 12" x 24" / 305 x 609.6mm cooking area
- 60,000 Natural gas
- Crumb tray and adjustable legs included
- Manually controlled independent cooking zones
- 3/4" / 19mm rear gas connection
- Conversion kit included

TECHNICAL SPECIFICATION

ITEM NUMBER	44198
MODEL	CE-CN-0212-S
NUMBER OF BURNERS	2 Burners
B.T.U.	60,000
COOKING AREA (WD)	12" x 24" / 305 x 609.6mm
*GAS TYPE	Natural Gas
DIMENSION (WDH)	12" x 26.7" x 19" / 305 x 679 x 480 mm
PACKAGING DIMENSIONS	12.8" x 28.7" x 16.7" / 325 x 730 x 425 mm
WEIGHT	29.4 kg/ 64.8 lbs
PACKAGING WEIGHT	41.3 kg/ 91 lbs (Pallet included)

TECHNICAL DRAWING & DIMENSIONS



Gas conversion to be completed by an approved gas field technician

OMCAN INC.

Telephone: 1-800-465-0234
 Fax: (905) 607-0234
 Email: sales@omcan.com
 Website: www.omcan.com



Follow us to keep up to date with the latest news and offers



COOKING EQUIPMENT

4 BURNERS 24" STEP-UP GAS HOTPLATE



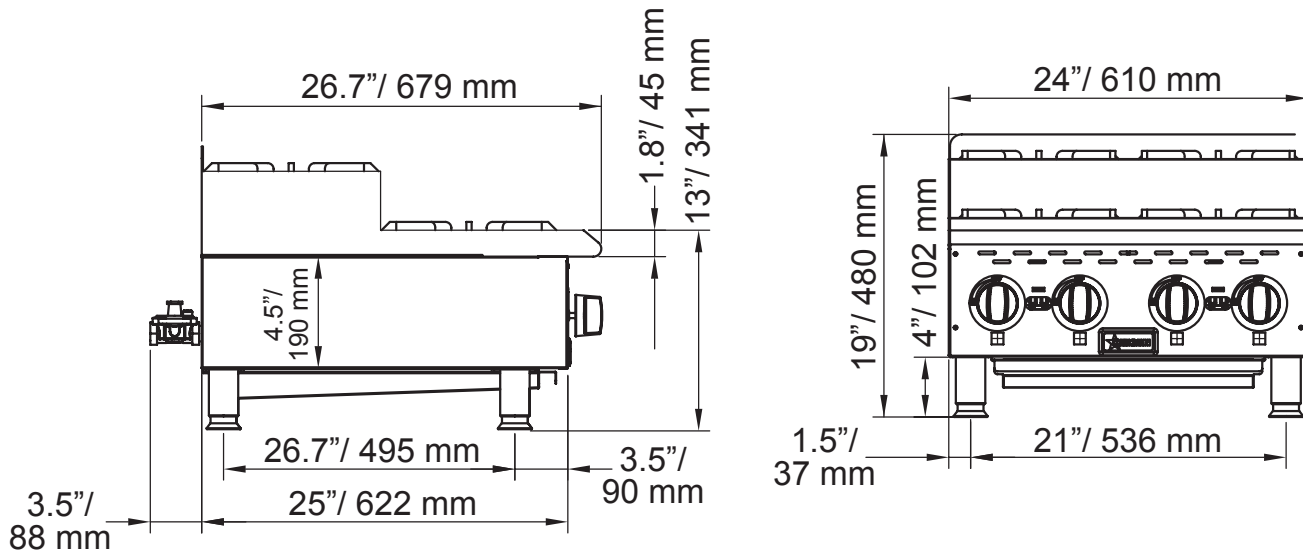
Countertop Stainless Steel Step-up Gas Hot Plates With 4 Burners



- Stainless steel construction
- Heavy-duty cast iron grilling grates
- 24" x 24" / 609.6 x 609.6mm cooking area
- 120,000 Natural gas
- Crumb tray and adjustable legs included
- Manually controlled independent cooking zones
- 3/4" / 19mm rear gas connection
- Conversion kit included

TECHNICAL SPECIFICATION	
ITEM NUMBER	44199
MODEL	CE-CN-0424-S
NUMBER OF BURNERS	4 Burners
B.T.U.	120,000
COOKING AREA (WD)	24" x 24" / 609.6 x 609.6mm
*GAS TYPE	Natural Gas
DIMENSION (WDH)	24" x 26.7" x 19" / 610 x 679 x 480 mm
PACKAGING DIMENSIONS	25" x 28.7" x 16.7" / 630 x 730 x 425 mm
WEIGHT	50.4 kg / 111 lbs
PACKAGING WEIGHT	67.2 kg / 148 lbs (Pallet included)

TECHNICAL DRAWING & DIMENSIONS



Gas conversion to be completed by an approved gas field technician

OMCAN INC.

Telephone: 1-800-465-0234
 Fax: (905) 607-0234
 Email: sales@omcan.com
 Website: www.omcan.com



Follow us to keep up to date with the latest news and offers



COOKING EQUIPMENT

6 BURNERS 36" STEP-UP GAS HOTPLATE



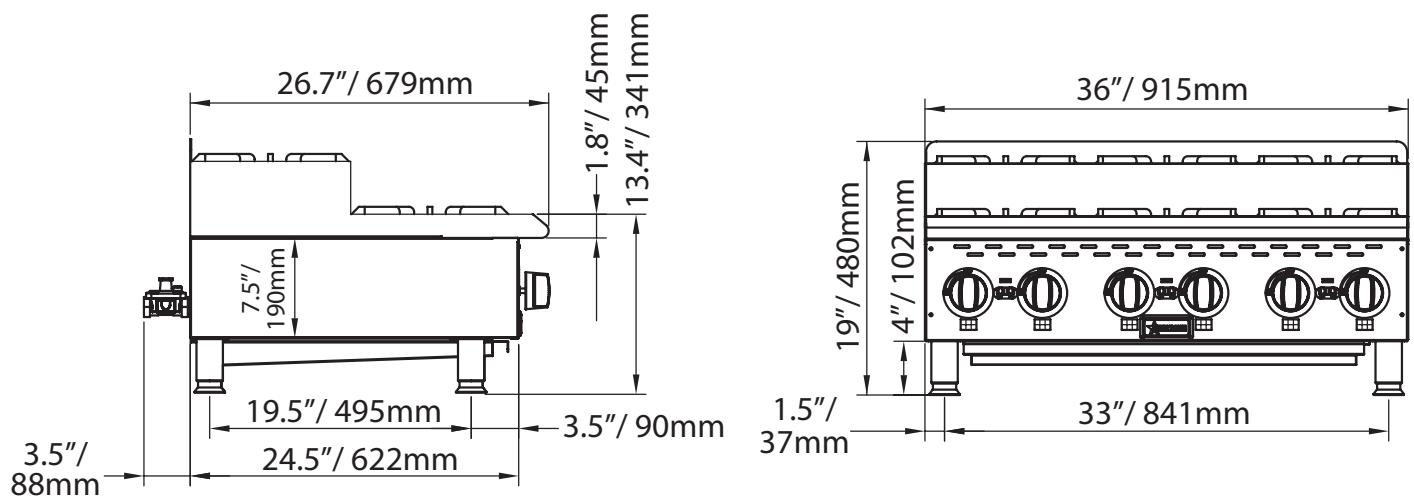
Countertop Stainless Steel Step-up Gas Hot Plates With 6 Burners



- Stainless steel construction
- Heavy-duty cast iron grilling grates
- 36" x 24" / 914 x 609.6mm cooking area
- 180,000 Natural gas
- Crumb tray and adjustable legs included
- Manually controlled independent cooking zones
- 3/4" / 19mm rear gas connection
- Conversion kit included

TECHNICAL SPECIFICATION	
ITEM NUMBER	44200
MODEL	CE-CN-0636-S
NUMBER OF BURNERS	6 Burners
B.T.U.	180,000
COOKING AREA (WD)	36" x 24" / 914 x 609.6 mm
*GAS TYPE	Natural Gas
DIMENSION (WDH)	36" x 26.7" x 19" / 915 x 679 x 480 mm
PACKAGING DIMENSIONS	36.8" x 28.7" x 16.7" / 935 x 730 x 425 mm
WEIGHT	159 lbs/ 72.2 kg
PACKAGING WEIGHT	215.4 lbs./ 97.7 kg (Pallet included)

TECHNICAL DRAWING & DIMENSIONS



Gas conversion to be completed by an approved gas field technician

OMCAN INC.

Telephone: 1-800-465-0234
 Fax: (905) 607-0234
 Email: sales@omcan.com
 Website: www.omcan.com



Follow us to keep up to date with the latest news and offers

