



Electrolux
PROFESSIONAL

Installation accessories
Stacking kit for 6 GN 1/1 oven
placed on gas 6 GN 1/1

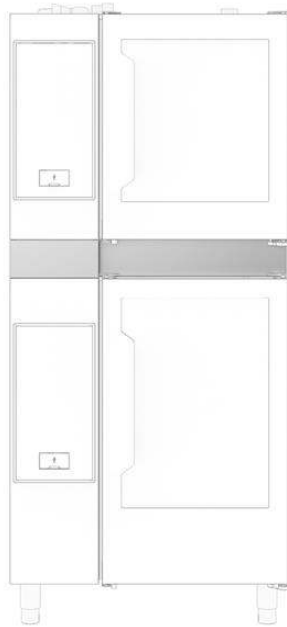
ITEM # _____

MODEL # _____

NAME # _____

SIS # _____

AIA # _____



922622 (STK611611)

Stacking kit for gas 6 GN 1/1
oven placed on gas 6 GN
1/1 oven

Main Features

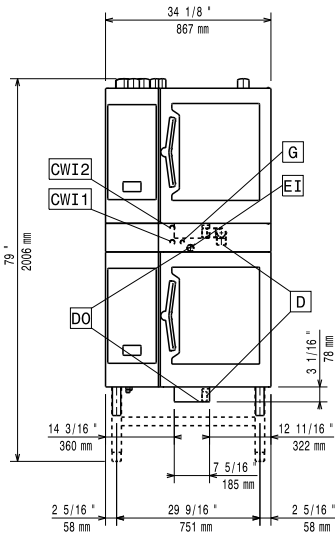
- Ideal for saving kitchen space.
- Includes: supports, external panels, flue and water pipes, drain connection, cooling fan and adjustable feet.
- The kit can be mounted on site.
- In case of stacking a combi oven with an air-o-convect, the air-o-convect must be mounted on top.
- The kit typology (gas, electric) must be ordered considering the oven that will be stacked on top.

APPROVAL: _____

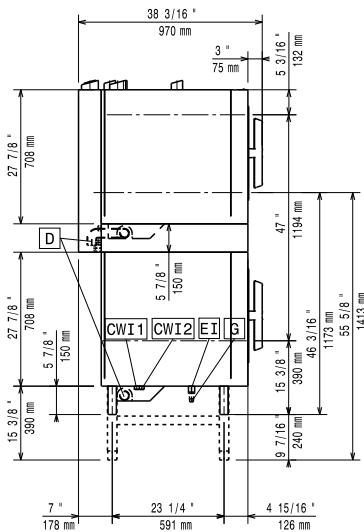


Experience the Excellence
www.professional.electrolux.com

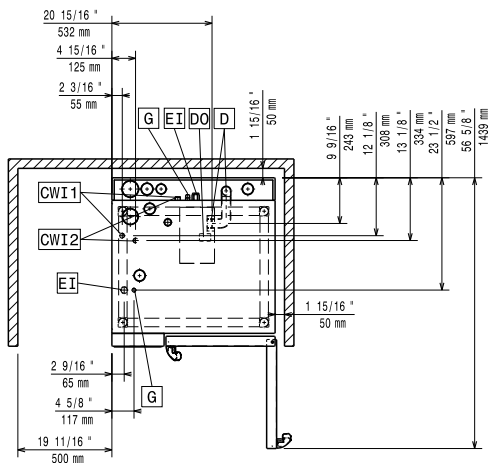
Front



Side



Top



Key Information:

External dimensions, Width:	
922622 (STK611611)	1050 mm
External dimensions, Height:	440 mm
External dimensions, Depth:	900 mm
Net weight:	47.6 kg