

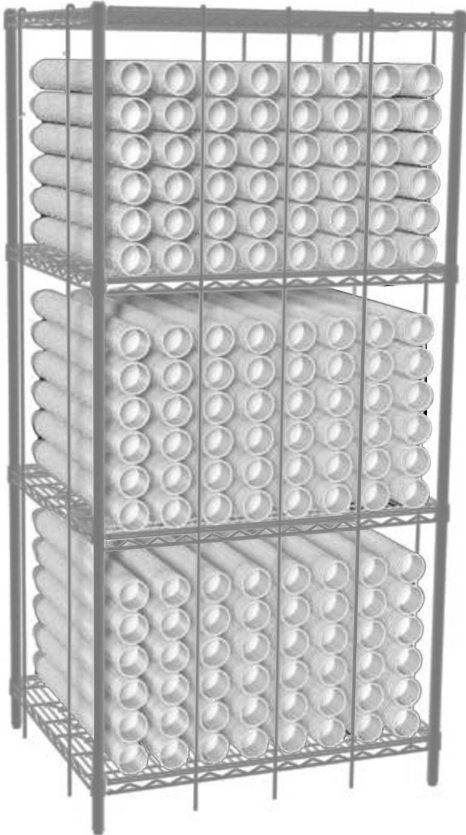


Profit from the Eagle Advantage®

# Specification Sheet

## Short Form Specifications

Eagle Cup Tower, model TSC3036Z, to consist of four 3036Z EAGLEbrite® zinc-plated wire shelves with 74" EAGLEbrite® zinc-plated posts, and 10 rods & tabs.



(shown propped)

### Options / Accessories

- Foot plates
- Shelf ledges
- Shelf shelving dividers
- Plastic shelf markers
- Add'l rods & tabs

### EAGLE GROUP

100 Industrial Boulevard, Clayton, DE 19938-8903 USA  
 Phone: 302-653-3000 • 800-441-8440 • Fax: 302-653-2065  
[www.eaglegrp.com](http://www.eaglegrp.com)  
[www.eaglegrpnews.com](http://www.eaglegrpnews.com)  
[www.eaglemhc.com](http://www.eaglemhc.com)

For custom configuration or fabrication needs, contact our **SpecFAB® Division**.  
 Phone: 302-653-3000 • Fax: 302-653-2065 • e-mail: [quotes@eaglegrp.com](mailto:quotes@eaglegrp.com)

Item No.:	_____
Project No.:	_____
S.I.S. No.:	_____

## Cup Tower

### MODELS:

- TSC3036Z

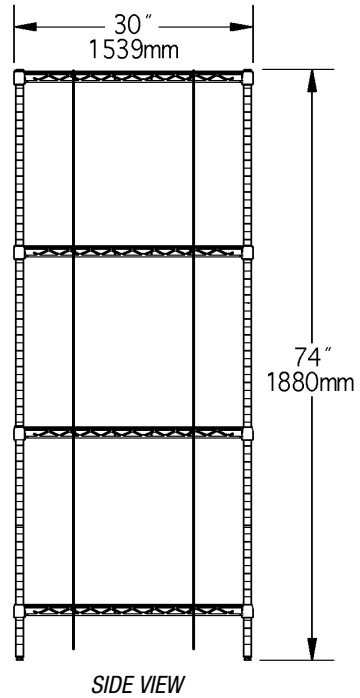
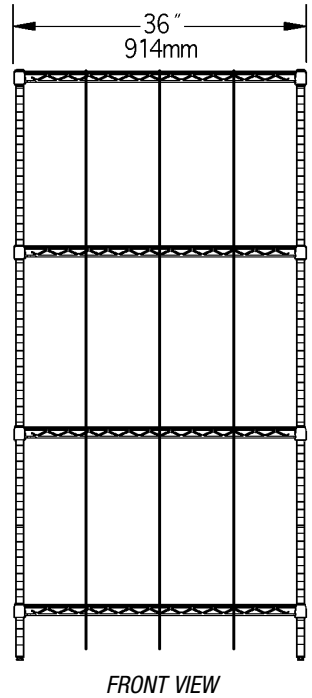
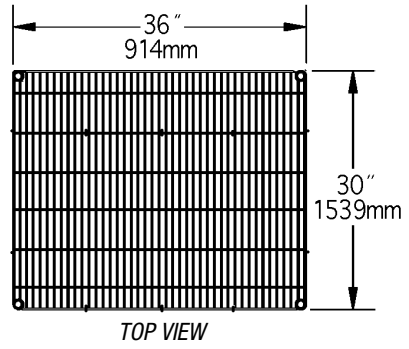
- Flexible design allows for custom look using standard components.
- Allows for easy inventory count.
- Easy identification of product.
- Four 30" x 36" (762 x 914mm) zinc-plated wire shelves with patented QuadTruss® design (patent #5,390,803). Shelf height can be adjusted.
- Ten chrome-plated full-height rods & tabs for ease of organization. Can be attached anywhere along shelf trusses without the need for tools.
- 74" (1880mm) overall post height.
- All posts are numbered and grooved at 1" (25mm) increments for fast and level assembly.





Item No.: \_\_\_\_\_  
 Project No.: \_\_\_\_\_  
 S.I.S. No.: \_\_\_\_\_

# Cup Tower



model #	width		length		height		weight	
	in.	mm	in.	mm	in.	mm	lbs.	kg
TSC3036Z	30"	762	36"	914	74"	1880	104	47.2

**EAGLE GROUP**  
 100 Industrial Boulevard, Clayton, DE 19938-8903 USA  
 Phone: 302-653-3000 or 800-441-8440 • Fax: 302-653-2065  
 www.eaglegrp.com • www.eaglegrpnews.com • www.eaglehmc.com

Printed in U.S.A.  
 ©2023 by Eagle Group  
 Rev. 06/23

**Spec sheets available for viewing, printing or downloading from our online literature library at our websites**

Although every attempt has been made to ensure the accuracy of the information provided, we cannot be held responsible for typographical or printing errors. Information and specifications are subject to change without notice. Please confirm at time of order.