



PROJECT \_\_\_\_\_

ITEM NO: \_\_\_\_\_

QUANTITY: \_\_\_\_\_

## Corner Sinks

### FEATURES & CONSTRUCTION:

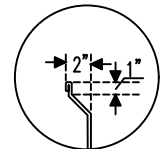
- Top is fabricated with 1-1/2" rounded edge on working sides and 9-3/4" high backsplash.
- All exposed welded areas smooth polished to brush finish sanitary #4.
- Welded stainless steel leg socket for removable legs.
- All units shipped K.D. and easily assembled.
- Comes with two sets of 8" center splash mount faucet holes, faucets not included.

### MATERIAL:

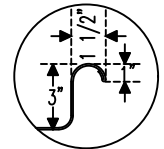
Top & Bowls: 18 Ga. stainless steel - 304  
 Leg set: 16 Ga. 1-5/8" dia. galvanized steel tubing, Stainless steel leg socket, 1" adjustable plastic bullet beet.  
 Optional: Stainless steel legs and bullet feet available for additional charge



NSF STD.2  
 Certified



45° Slanted Backsplash Reinforced with Hemmed Edge



Rolled Rim Edge Front and Sides Reinforced with Hemmed Edge



Plastic Bullet Feet 1" Adjustable



Three 3-1/2" Drain Baskets Included

### CORNER SINK WITHOUT DRAINBOARD



MODEL#	UNIT SIZE			BOWL SIZE		LEG
	L	W	H	A	B	X
SMCS1818-3	41.5"	23.5"	44.25"	18"	14"	14"
SMCS2020-3	45.5"	25.5"		20"		16"
SMCS2424-3	53.5"	29.5"		24"		20"

### CORNER SINK WITH TWO DRAINBOARDS



MODEL#	UNIT SIZE			BOWL SIZE	DRAIN BOARD SIZE	LEG	
	L	W	H	A	B	C	X
SMCS-3-1818D	57"	23.5"	44.25"	18"	14"	18"	14"
SMCS-3-1818D24	63"	23.5"		18"		24"	14"
SMCS-3-2020D	63"	25.5"		20"		20"	16"
SMCS-3-2424D	75"	29.5"		24"		24"	20"



Rev. 10/20

SAPPHIRE MANUFACTURING  
 Tel: 718-543-2111  
 Fax: 718-543-2121

info@sapphiremanufacturing.com  
 WWW.SAPPHIREMANUFACTURING.COM



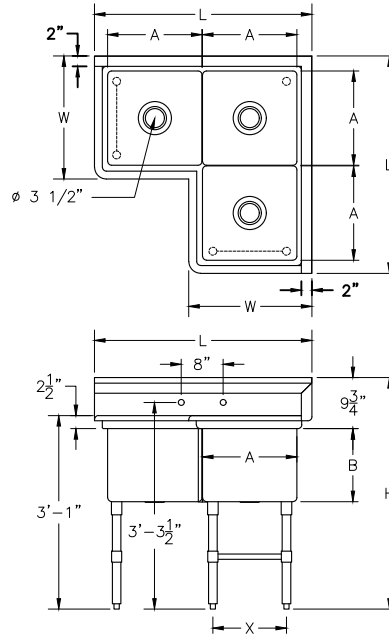
PROJECT

ITEM NO: \_\_\_\_\_

QUANTITY: \_\_\_\_\_

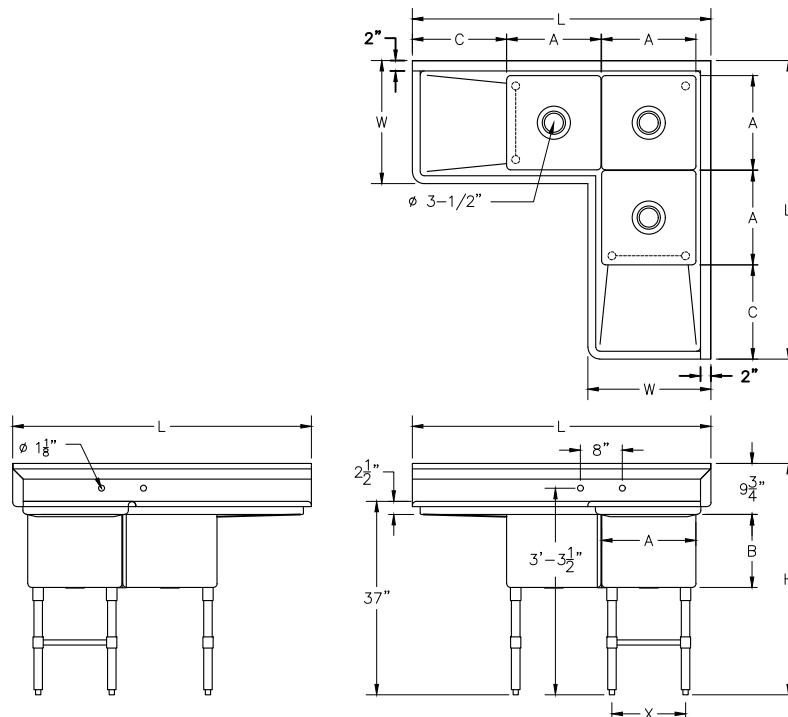
## Corner Sinks

### CORNER SINK WITHOUT DRAINBOARD



NSF STD.2  
Certified

### CORNER SINK WITH TWO DRAINBOARDS



NSF STD.2  
Certified

Specifications subject to change without notice. All dimensions are typical (Tolerance 1/2").



Rev. 10/20

SAPPHIRE MANUFACTURING  
Tel: 718-543-2111  
Fax: 718-543-2121

info@sapphiremanufacturing.com  
WWW.SAPPHIREMANUFACTURING.COM