

Heavy-Duty Food Processor With 0.7 HP Motor And 6" Opening

ITEM: 10927
MODEL: FP-IT-0300

Easy to use and versatile

This vegetable cutter is easy to use for all types of vegetables, cheese, and many other products. The hinged lid allows for easy cleaning and changing of disks. Wide selections of discs are available. Made of aluminum alloy and stainless steel construction.

FEATURES:

- Easy cleaning and operation
- Durable aluminum alloy and stainless steel body
- Various discs available for different cutting uses
- Ideal for multiple food establishment uses

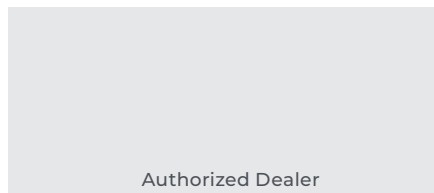


1-833-487-3686

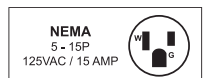
www.trentoequipment.com

sales@trentoequipment.com

Follow us on social media
[@trentoequipment](#)



Authorized Dealer





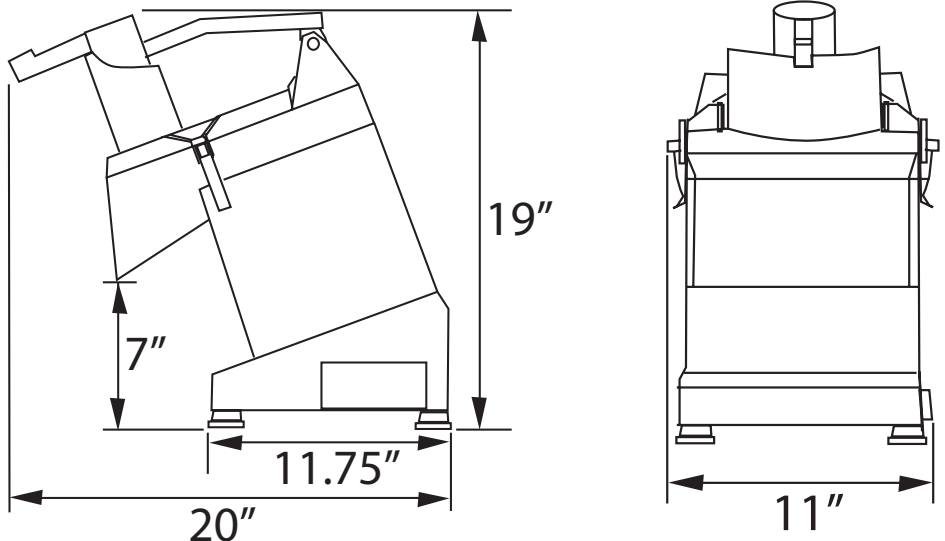
1/3-Size Food Collection Bin Included



Technical Specification

Item	10927
Model	FP-IT-0300
Mouth Opening	3.06" x 6.25" (77 x 159 mm)
RPM	300
Power	520 W / 0.7 hp
Electrical	110V / 60Hz / 1Ph
Bin Colour	Clear
Bin Capacity	7 Qt. (6.5 L)
Bin Dimensions (WDH)	12.75" x 7" x 8" (324 x 178 x 203 mm)
Net Weight	54 lb. (24.5 kg.)
Net Dimensions (WDH)	20" x 11" x 19" (508 x 279 x 482 mm)
Gross Weight	56 lb. (25 kg.)
Gross Dimensions (WDH)	29" x 14" x 20" (736 x 355 x 508 mm)
Plug Type	NEMA 5 - 15P

Technical Drawings and Dimensions



Vegetable Cutting Discs

Aluminum structure, made of AISI 420. Various kinds of discs available for different types of processing.



Shredding Disc



Julienne Disc



Slicing Disc



Grating Disc



Baton Disc

Shredding Discs

Item	Description
10088	Shredding discs: 0.03" (1 mm)
10089	Shredding discs: 0.07" (2 mm)
10090	Shredding discs: 0.11" (3 mm)
10091	Shredding discs: 0.15" (4 mm)
10093	Shredding discs: 0.27" (7 mm)
10094	Shredding discs: 0.35" (9 mm) (mozzarella)

Julienne Strips Discs

Item	Description
10082	Julienne Strips disc: 0.15" (4 mm)
10084	Julienne Strips disc: 0.23" (6 mm)
10086	Julienne Strips disc: 0.31" (8 mm)
10081	Julienne Strips disc: 0.39" (10 mm)

Grating Discs

Item	Description
10095	Grating discs

Slicing Discs

Item	Description
10072	Slicing discs, straight: 0.03" (1 mm)
10073	Slicing discs, straight: 0.07" (2 mm)
10074	Slicing discs, straight: 0.11" (3 mm)
10075	Slicing discs, straight: 0.15" (4 mm)
10076	Slicing disc, curved wave: 0.19" (5 mm)
16448	Slicing discs, straight: 0.31" (8 mm)
10070	Slicing discs, straight: 0.39" (10 mm)
10071	Slicing discs, straight: 0.55" (14 mm)

Cubing/Dicing and Baton Discs

Item	Description
10123	Cubing/Dicing: 0.31" (8 mm)
10120	Cubing/Dicing: 0.39" (10 mm)
10121	Cubing/Dicing: 0.55" (14 mm)
10122	Cubing/Dicing: 0.78" (20 mm)
10118	Baton disc: 0.23" (6 mm)
10119	Baton disc: 0.31" (8 mm)
10117	Baton disc: 0.39" (10 mm)