



Project: _____

Location: _____

Item #: _____ Quantity: _____

Model #: _____

MODEL: IMD-ERV15II BOTTLE COOLER – Stainless Steel



General Strengths

- ✓ **Sanitation.** The interior cabinet is built with rounded corners (extensive radius for easy cleaning). Quick ability to take off shelves and slides for interior cleaning. Each cabinet has a drain at the bottom of the unit. When cleaning the unit make sure the drain hose is routed to a floor drain.
- ✓ **Doors.** Self-closing door system with permanent pressure. Stay open feature included when door remains open after 95 degrees. All doors include triple chamber door gaskets, easy to remove and snap in.
- ✓ **Control systems.** Higher precision in managing temperature settings. Greater ability to adjust temperature ranges as per the end user's requirement.
- ✓ **100% Tested.** All condenser units are tested 100%, in helium chambers to refrigerant leak detections.
- ✓ **Certified.** Audited and Certified by **INTERTEK** for compliance with UL 471 and NSF 7. AENOR audited and certified by internationally recognized firm. ISO 9001:2008 (Quality); ISO 14001:2004 (Environmental); OSHAS 18001:2007 (Prevention and Worker Safety)
- ✓ **Lighting.** LED lighting in the canopy and cabinet sides reduces the energy consumption by 80% and 90% compared to a traditional bulb. Provides a much better light quality.

MODEL	Dimensions (inches) (mm)			N° Doors	N° Shelves	Ref.	Ref. Weight (Lbs.) (gr.)	Temp. Range (°F) (°C)	Capacity (Cu. Ft.) (L)	Cond. Unit. H.P.	Case Amps 115 V.	Crated Weight (Lbs.) (Kg.)
	W	D	H									
IMD-ERV15II	23-5/8	20-1/8	35-3/4	1	2	R134a	0.37	39°F/54°F	5	1/6	3.0	152
	600	510	920									

ETL LISTED TO UL471 STANDARD AND SANITATION CLASSIFIED TO NSF7 – WE RESERVE THE RIGHT TO CHANGE SPECIFICATIONS WITHOUT PRIOR NOTICE



Infrico USA Corp.
 7042 N.W. 46th Street
 Miami, FL 33166
 1.305.777.9599 Office
 1.305.777.9598 Fax

www.infrico.us
 service@infrico.com
 sales@infrico.com

APPROVALS: AVAILABLE AT:

Revision: 03 Date: 05/05/2015 ERV15II_FT_62.2



Project: _____

Location: _____

Item #: _____ Quantity: _____

Model #: _____

MODEL: **IMD-ERV15II**

BOTTLE COOLER – Stainless Steel

STANDARD FEATURES

➤ **Exterior**

- AISI 430 Stainless Steel,
- Completely injected compact structure,
- Integrated lock for doors.

➤ **Interior**

- Interior of PVC-coated steel,
- LED lighting.

➤ **Doors**

- Doors with integrated handle and blocked opening hinge,
- Door gasket easy to remove,
- Thermopane double glass,
- Door lock provided.

➤ **Insulation**

- High density CFC free Polyurethane foam.

➤ **Shelving**

- (2) interior shelves,
- Guides and shelves easy to take off for cleaning.

➤ **Refrigeration**

- Temperature and defrost regulated by digital controller.
- System of ventilated condensation *INFRICOOL*®.
- Forced evaporation system,
- Evaporative pan.

➤ **Electrical**

- Cord and NEMA 5-15P plug.
- Electrical connection is 115V / 1ph / 60 Hz.



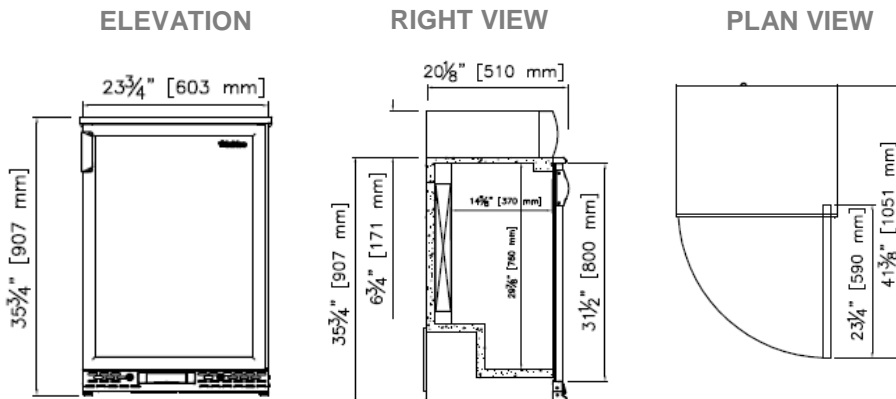
OPTIONAL FEATURES

- ✓ Customizable Product.
- ✓ Illuminated head (6-3/4" high),
- ✓ Electrical connection is 220-230 V / 1ph / 50 Hz (plug type varies).
- ✓ Electrical connection is 220-230 V / 1ph / 60 Hz (plug type varies).

➤ **ETL Listed to UL471 Standard and Sanitation classified to NSF7.**



PLAN VIEW



ETL LISTED TO UL471 STANDARD AND SANITATION CLASSIFIED TO NSF7 – WE RESERVE THE RIGHT TO CHANGE SPECIFICATIONS WITHOUT PRIOR NOTICE



Infrico USA Corp.
 7042 N.W. 46th Street
 Miami, FL 33166
 1.305.777.9599 Office
 1.305.777.9598 Fax

www.infrico.us
 service@infrico.com
 sales@infrico.com

APPROVALS: AVAILABLE AT:

Revision: 03 Date: 05/05/2015 ERV15II_FT_62.2