



YOU CAN TRUST

## MEAT TENDERIZER

### INT90S



### STANDARD FEATURES

- Meat Tenderizers are designed to tenderize boneless beef steaks (cattle meat only). Hundreds of tenderizing blades go into muscle fibers cutting sinews. The result is a tender piece of meat, which will cook quicker and be tender and chewable.
- INT90S is a powerful and dependable Meat Tenderizer equipped with a 3/4 HP motor.
- Ideal for medium to large butcheries, restaurants, grocery stores and meat markets.
- Safety switch on cover shuts down motor immediately when the cover is lifted.
- INT90S features a roll support removal system where the complete roll support, with the rolls in it, can be easily lifted out of the machine for cleaning purposes. This system allows for an easier and faster placement and removal of the rolls.
- Stainless steel construction ensures long lasting and easy cleaning.



### INT90S Heavy Duty Meat Tenderizer



#### Accessories for INT90S

##### KES-ABNHD10

Strip cutter / Fajita Blade  
Set 3/8" INT90S

##### KES-ABNHD12

Strip cutter / Fajita Blade  
Set 1/2" INT90S

ILLUSTRATIVE PHOTO, ACTUAL PRODUCTS AND ACCESSORIES ARE SUBJECT TO CHANGE WITHOUT NOTICE.



**Skyfood Equipment LLC**  
175 SW 7th Street, Ste 2416  
Miami, FL 33130

**Toll Free:**  
1-800-503-7534  
sales@skyfood.us

[www.skyfood.us](http://www.skyfood.us)



Follow us to keep up to date with the latest news and offers

/SkyfoodEquipment

/SkyfoodEquipment

/SkyfoodEquipment



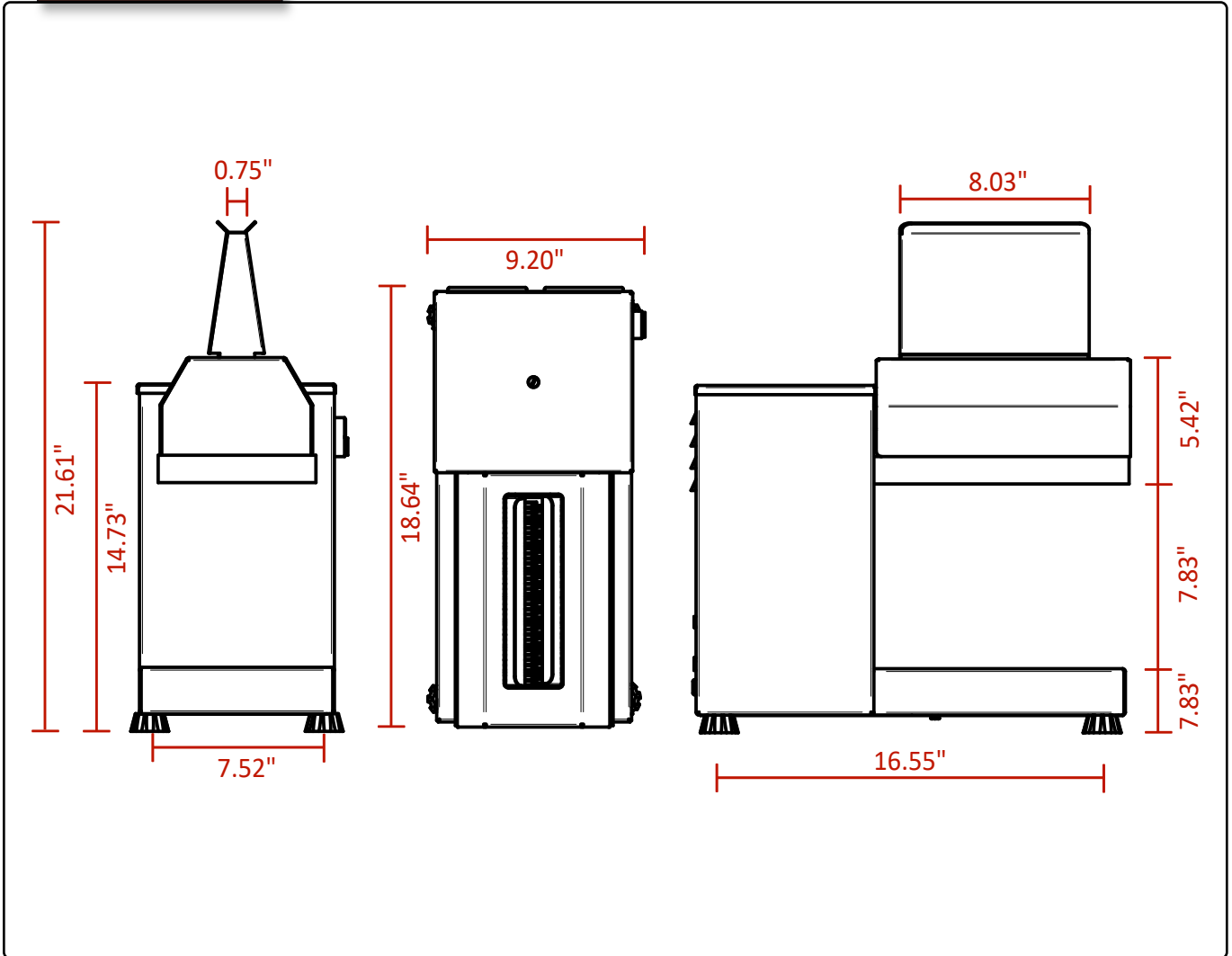
YOU CAN TRUST

# MEAT TENDERIZERS

## INT90S



### DIMENSIONS



### TENDERIZED MEAT



**MADE IN BRAZIL**

**WARNING:**  
CALIFORNIA RESIDENTS ONLY -  
Cancer and Reproductive Harm -  
[www.P65Warnings.ca.gov](http://www.P65Warnings.ca.gov)

**WARRANTY 01 YEAR  
PARTS AND LABOR  
VALID IN THE  
CONTINENTAL  
UNITED STATES.**

**PLUG**  
NEMA 5-15P

Item	Voltage	AMPS	Power Rating	Dimensions (W x D x H)	Weight (Net x Ship)	Steak Thickness	Production (approx.)	Feeding Chute (L x W)	PLUG
INT90S	110 V	11.7	3/4 HP	18 3/4" x 9 1/2" x 21 1/4"	55 lb x 70 lb	5/8"	1100 lb/h	7 x 7/8" x 3/4"	NEMA 5-15P

ILLUSTRATIVE PHOTO, ACTUAL PRODUCTS AND ACCESSORIES ARE SUBJECT TO CHANGE WITHOUT NOTICE.



**Skyfood Equipment LLC**  
175 SW 7th Street, Ste 2416  
Miami, FL 33130

**Toll Free:**  
1-800-503-7534  
sales@skyfood.us

[www.skyfood.us](http://www.skyfood.us)



Follow us to keep up to date with the latest news and offers

/SkyfoodEquipment

/SkyfoodEquipment

/SkyfoodEquipment