



Project Name: _____

Location: _____

Item #: _____

Qty: _____

Adcraft Double Sandwich Grill, Grooved 18.80" x 9.2" Cooking Surface, in Stainless Steel

SG813BS



Enhance your kitchen's efficiency with the Adcraft Double Sandwich Grill with Grooved Plates, designed for professional use. Made from SUS430 aluminized sheet, it offers robust durability. With a cooking surface of 18.80 x 9.2 inches, it accommodates various sandwich sizes. The grill operates within a temperature range of 120° to 570°F, ensuring versatile cooking options. Featuring a thermostatic control, it allows precise temperature adjustments. It is easy to clean with removable grids and plates.

Features and Construction

- Made from SUS430 aluminized sheet for durability
- Operates on 120V with NEMA 5-15P plug for convenience
- Features 2 burners for efficient cooking
- Offers a generous 18.80" x 9.2" grilling capacity
- Stable freestanding design with rubber feet for stability
- Equipped with thermostatic control type for precision
- Browning control dial for customized toasting
- Maintains temperatures from 120° to 570°F for versatility
- Dimensions are 22.6"L x 15"W x 7.4"H
- Covered by the Adcraft One-Year Limited Warranty

Electric

120V / 1750W / 14.5A
Cord Length (Inches): 67"
Plug Type: NEMA 5-15P
Cord set included

NEMA 5-15P



3rd Party Approvals



Warranty (USA Only)

Protected by Admiral Craft Equipment Corporation's one-year limited warranty.

Contact Admiral Craft Equipment for details at 1-877-672-7740



Included Components

Cord and plug, grill brush

Temperature

Temperature Range (Fahrenheit): 120° - 570°

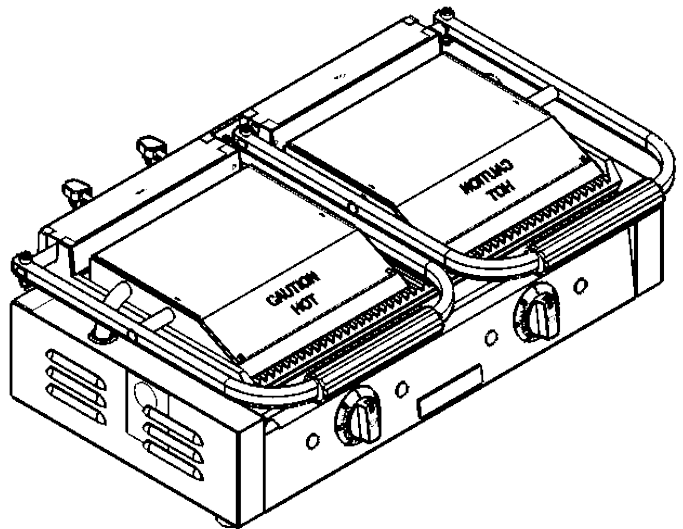
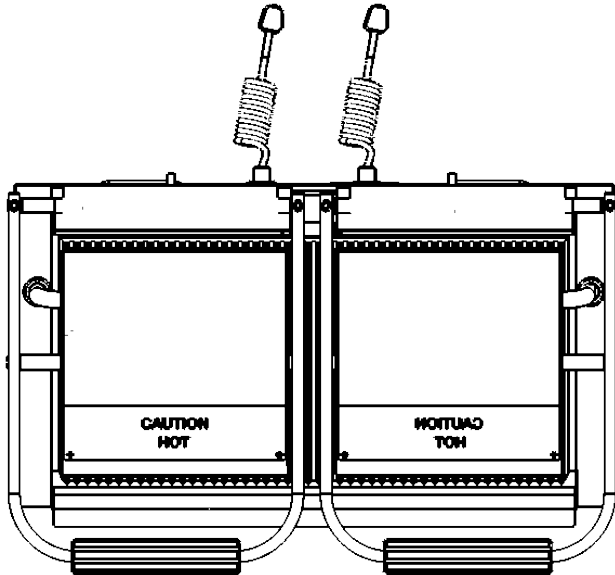
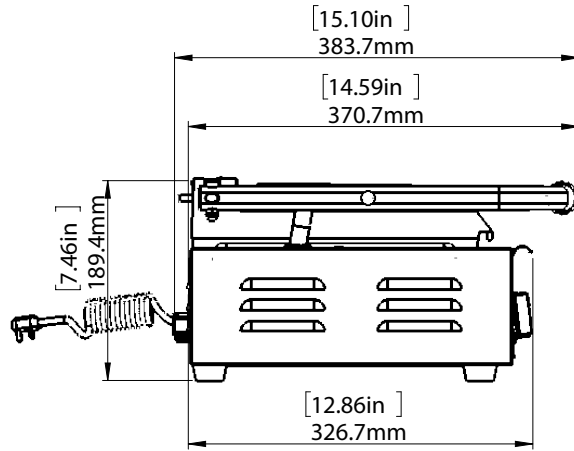
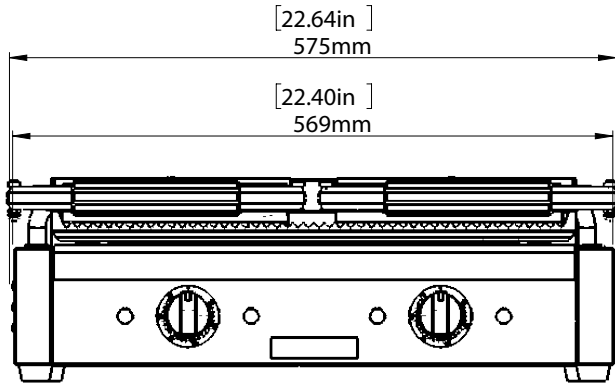


Adcraft Double Sandwich Grill, Grooved 18.80" x 9.2" Cooking Surface, in Stainless Steel

SG813BS

FRONT

SIDE



TOP

Sandwich & Panini

Control Type	Cooking Area Depth x Width (in)	Cooking Surface	Assembled Dimensions L x W x H (in)	Package Dimensions L x W x H (in)	Item Weight (lb)	Shipping Weight (lb)
Thermostatic	9.20" x 18.80"	Grate	22.6" x 15" x 7.4"	26.4" x 17.7" x 9.8"	65.3	68.3

Due to periodic changes in designs, methods, procedures, policies and regulations, the specifications contained in this document are subject to change without notice. While we exercise good faith efforts to provide information that is accurate, we are not responsible for errors or omissions in information provided or conclusions reached as a result of using the specifications. By using the information provided, the user assumes all risks in connection with such use.