



Profit from the Eagle Advantage®

Specification Sheet

Short Form Specifications

Eagle Portable Hand Sink with Stainless Steel Cabinet, model _____ . Heavy gauge stainless steel cabinet with double pan hinged stainless steel door and lock. Furnished with deck mount faucet, soap dispenser, paper towel dispenser, trash chute, 115 volt pump, 5-gallon fresh water tank, and 7-gallon waste water tank, GFCI electrical outlet, 10´ cord/plug with cord wrap. Units available with 14" x 10" x 5" deep stainless steel sink bowl, three-compartment bowl (each compartment is 11½" x 6⅞" x 5"), or patented 12½" x 16" removable acrylic water plate (patent #9,790,674).

Item No.:	_____
Project No.:	_____
S.I.S. No.:	_____

Portable Hand Sinks with Stainless Steel Cabinet

MODELS:

- PHS-A-C
- PHS-A-H
- PHS-S-C
- PHS-S-H
- PHS-S3-C
- PHS-S3-H

Catalog Specification Sheet No.

EG20.06A

Portable Hand Sinks with Stainless Steel Cabinet



with stainless steel bowl (shown with door open)

PATENTED!
(U.S. Patent #9,790,674)



with acrylic bowl (paper towels sold separately)

Features

- Available with hot and cold water which includes a hot water heater, or just cold water.
- Stainless steel cabinet body with locking door.
- Deck mount faucet with 8" (203mm) spout and ¼-turn handles.
- Standard towel rack accommodates standard household paper towels.
- Deck mount soap dispenser.
- 4" (102mm) swivel casters (two with brake) with non-marking tread—weight capacity of 150 lbs. (68.0 kg) per caster.
- 5-gallon fresh water tank.
- 7-gallon soiled water tank.
- Box marine edge top.

Bowls

- Single stainless steel bowl is 14" x 10" x 5" (356 x 254 x 127mm) deep.
- Three-compartment bowl is 21" x 13" x 5" (533 x 330 x 127mm). Each compartment is 11½" x 6⅞" x 5" (295 x 156 x 127mm).
- Patented removable acrylic water plate (patent #9,790,674) is 12½" x 16" (318 x 406mm) and drains into a stainless steel trough.

Options / Accessories

- Stainless steel towel dispenser
- Electronic-eye faucet
- Perimeter bumper
- Extra 5-gallon fresh tank
- Extra 7-gallon soiled tank
- Etching in Acrylic Water Plate (custom option)

EAGLE GROUP

100 Industrial Boulevard
Clayton, DE 19938-8903 USA

Phone: 302-653-3000 • 800-441-8440

Fax: 302-653-2065

www.eaglegrp.com • www.eaglemhc.com

For custom configuration or fabrication needs, contact our SpecFAB® Division.

Phone: 302-653-3000 • Fax: 302-653-2065 • e-mail: quotes@eaglegrp.com



EG20.06A Rev. 06/22

Spec sheets available for viewing, printing or downloading from our online literature library at www.eaglegrp.com



Profit from the Eagle Advantage®

Eagle Portable Sinks with Stainless Steel Cabinet

Overall dimensions of all units are 24" width, 26" length, and 44½" height. 4" swivel casters—two with brake—with 150 lb. weight capacity per caster.

Sinks with Stainless Steel Bowl...

...with Cold Water Only

sink width in. mm	sink length in. mm	sink depth in. mm	weight * lbs. kg	model #
14" 356	10" 256	5" 127	232 105.2	PHS-S-C

...with Hot & Cold Water**

sink width in. mm	sink length in. mm	sink depth in. mm	weight * lbs. kg	model #
14" 356	10" 256	5" 127	251 113.9	PHS-S-H

Sinks with Three-Compartment Bowl...

...with Cold Water Only

sink width in. mm	sink length in. mm	sink depth in. mm	weight * lbs. kg	model #
11½" 295	6½" 156	5" 127	232 105.2	PHS-S3-C

...with Hot & Cold Water**

sink width in. mm	sink length in. mm	sink depth in. mm	weight * lbs. kg	model #
11½" 295	6½" 156	5" 127	251 113.9	PHS-S3-H

Sinks with Removable Acrylic Water Plate ▼

...with Cold Water Only

plate width in. mm	plate length in. mm	weight * lbs. kg	model #
12½" 318	16" 406	232 105.2	PHS-A-C

...with Hot & Cold Water**

plate width in. mm	plate length in. mm	weight * lbs. kg	model #
12½" 318	16" 406	251 113.9	PHS-A-H

* Weights reflect empty water tanks.

** Hot water heater plugs into a standard 110 outlet. Features a glass lined tank for longer life and a temperature/pressure relief valve.

▼ Features removable polycarbonate water plate which drains into a stainless steel trough, and deck-mount faucet.

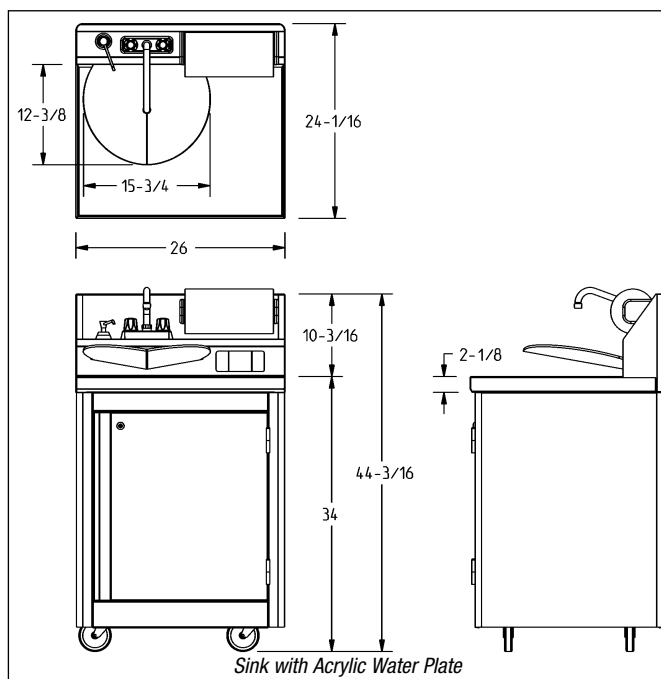
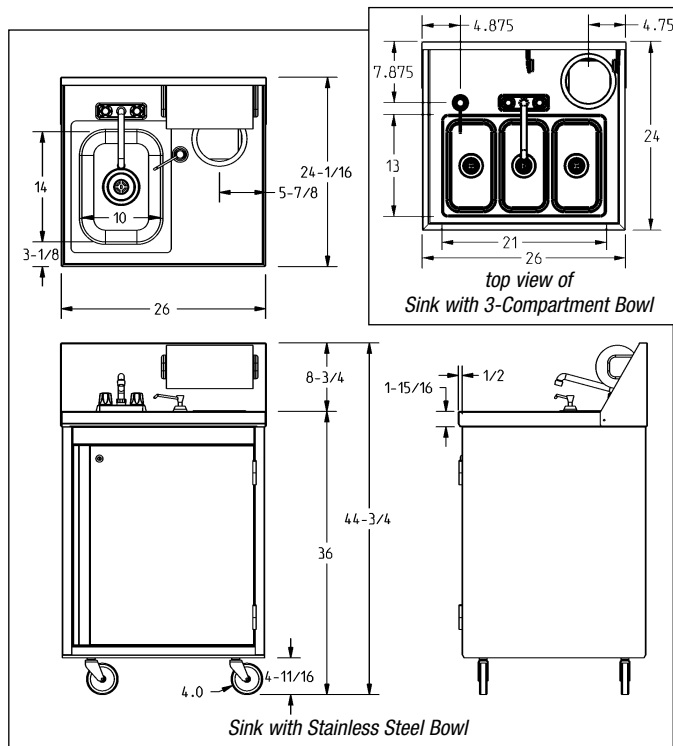
▼ Optional Cutting Board for Sinks with Water Plate

Remove the water plate first, then simply lay the cutting board across the top of the unit.

model # **376509**



Item No.: _____
Project No.: _____
S.I.S. No.: _____



EAGLE GROUP

100 Industrial Boulevard, Clayton, DE 19938-8903 USA

Phone: 302-653-3000 or 800-441-8440 • Fax: 302-653-2065

www.eaglegrp.com • www.eaglemhc.com

Printed in U.S.A.
©2022 by Eagle Group

Rev. 06/22

Spec sheets available for viewing, printing or downloading from our online literature library at www.eaglegrp.com

Although every attempt has been made to ensure the accuracy of the information provided, we cannot be held responsible for typographical or printing errors. Information and specifications are subject to change without notice. Please confirm at time of order.