

# Remote Back Bar Coolers

## Royal Series Refrigeration



BR72L-SSS-LRR  
shown with optional 1" top

### Specifications

<b>Refrigeration</b>	<ul style="list-style-type: none"> <li>134A refrigerant valve installed (standard)</li> <li>Optional R448A expansion available</li> </ul>
	<ul style="list-style-type: none"> <li>Thermostat not included</li> <li>30°F-40°F operating range (set at 35°F) unless specified otherwise</li> </ul>
<b>Electrical</b>	<ul style="list-style-type: none"> <li>115 V, 1 Phase, 60 Hz.</li> <li>Furnished with a terminal block inside the box for a hard wire connection (supplied by the end user)</li> </ul>
	<ul style="list-style-type: none"> <li>Dedicated 15 amp circuit recommended</li> <li>BR48: 1.0 amps (lights &amp; fan) 1800 BTUs 16°F-18°F</li> <li>BR72: 1.5 amps (lights &amp; fan) 2300 BTUs 16°F-18°F</li> <li>BR96: 2.0 amps (lights &amp; fan) 3200 BTUs 16°F-18°F</li> </ul>
	<ul style="list-style-type: none"> <li>20 gauge stainless steel with coved corners</li> <li>NSF epoxy coated durable wire shelves (one bottom and two adjustable shelves per door)</li> <li>Door opening: 19-15/16"W x 29-11/16"H</li> </ul>
	<ul style="list-style-type: none"> <li>Sides: 20 gauge stainless steel or black vinyl</li> <li>Front: 20 gauge stainless steel, black vinyl or glass</li> <li>Back: 20 gauge galvanized steel</li> <li>Top: 20 gauge galvanized steel (1" S/S Top option)</li> <li>Sliding Door 48" and 96" models doors only available in glass with black trim</li> </ul>
<b>Insulation</b>	<ul style="list-style-type: none"> <li>Foamed-in-place polyurethane</li> </ul>
<b>Plumbing</b>	<ul style="list-style-type: none"> <li>1/2" drain connection required for condensation. Drain line connection will be on the same side as the refrigeration line location selected</li> </ul>
	<ul style="list-style-type: none"> <li>A 100V condensate evaporator pan may be used in place of a drain line but it must be installed in a good location. Consult with your refrigeration installation company and check local codes.</li> </ul>

Case Quantity		48" (BR48)	72" (BR72)	96" (BR96)
	Long Neck Bottles		13	21
12 oz. Cans		20	34	40
Wine Bottles		136	216	288

### Standard Features

- 35"H without top, 36"H w/ optional 1" stainless steel top
- 24" Front to back depth (25" with top)
- Heavy duty self-closing doors
- Swing door models: Stainless steel handles with built-in locks
- Sliding door models: Glass with black trim sliding doors
- Listed to NSF Standard 7 for open food storage
- Optional 1/3 HP condensing unit available
- Expansion valve installed in unit - Type 134A or R448A
- All stainless steel, coved corner interior
- NSF epoxy coated durable wire shelves (one bottom and two adjustable shelves per door)
- One supply hook-up side
- 3/8" supply outlets, 1/4" supply inlets
- 1-Year parts only warranty (no labor)
- 1-Year compressor, (If purchased) parts only warranty (no labor)

### Optional Accessories

Model	Description
BS-100	6" Stainless Steel Legs (Set of 4)
BS-101	6" Stainless Steel Legs (Set of 6)
BS-102	4" Stainless Steel Legs (Set of 4)
BS-103	4" Stainless Steel Legs (Set of 6)
BS-106	Left Side Stainless Steel Kick Plate
BS-107	Right Side Stainless Steel Kick Plate
BC-130	1" Ultra Low Profile Casters (Set of 4)
BC-131	1" Ultra Low Profile Casters (Set of 6)
BC-132	2" Low Profile Casters (Set of 4)
BC-133	2" Low Profile Casters (Set of 6)
BC-134	3" Casters (Set of 4)
BC-135	3" Casters (Set of 6)
BS-148	48" Stainless Steel Front Kick Plate
BS-172	72" Stainless Steel Front Kick Plate
BS-196	96" Stainless Steel Front Kick Plate
BS-600	110V Solenoid Valve & Thermostat
BC-500	1/3 HP Condensing Unit (R134A Refrigerant)
BC-501	1/2 HP Condensing Unit (R404A Refrigerant)
BC-811	Side Guard Rail for Shelving



CONFORMS TO UL Std 471 & NSF STD 7

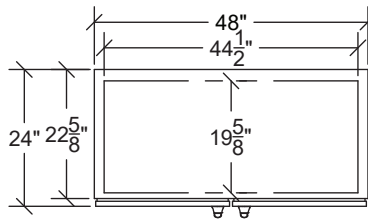
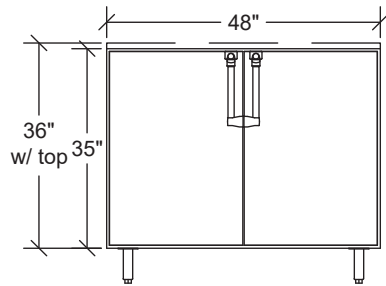
This equipment is intended for use in an area where the ambient temperature typically does not exceed 75 °F.

# Remote Back Bar Coolers

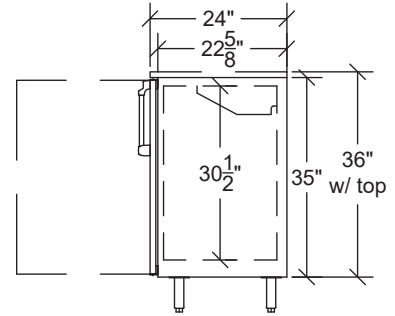
## Royal Series Refrigeration

### Swing Doors

Base Model	Length	Doors	Weight
BR48	36"	2	280 lbs.

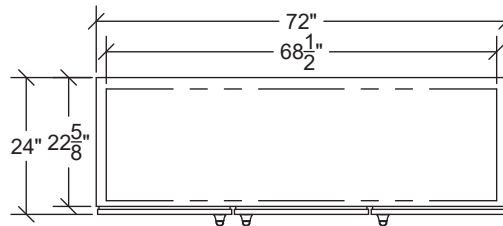
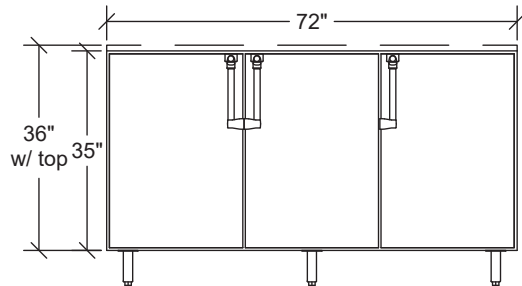


This side view applies to Swing Door Base Models BR48, BR72, and BR96



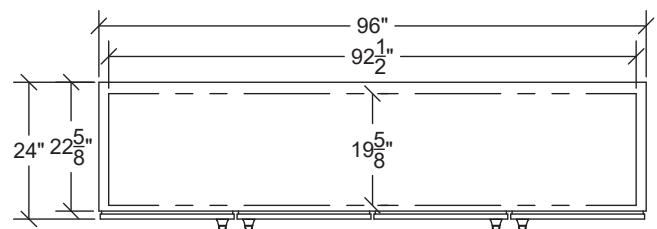
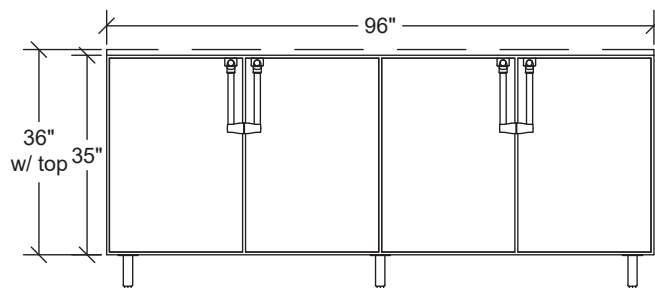
### Swing Doors

Base Model	Length	Doors	Weight
BR72	72"	3	395 lbs.



### Swing Doors

Base Model	Length	Doors	Weight
BR96	96"	4	510 lbs.



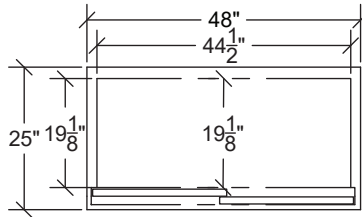
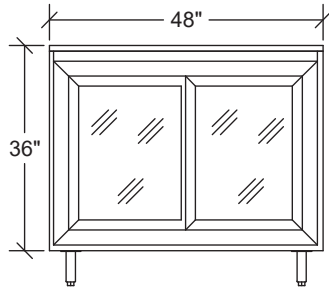
NOTE: Optional casters raise height 1" higher than wheel size. Optional 4" or 6" legs available.

## Remote Back Bar Coolers

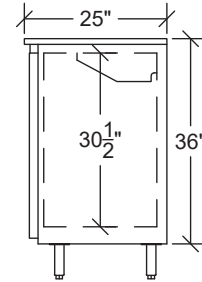
## Royal Series Refrigeration

### Sliding Doors

Base Model	Length	Doors	Weight
BR48	36"	2	280 lbs.

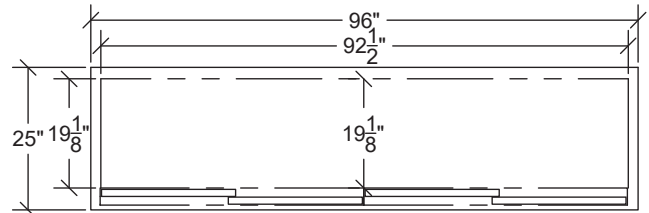
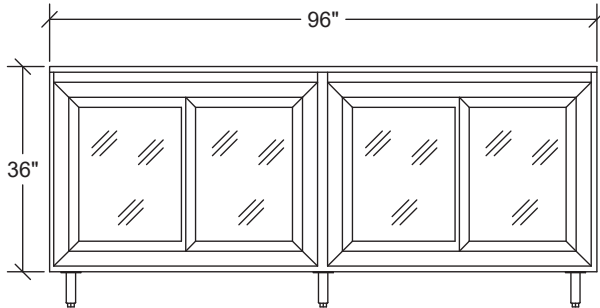


This side view applies to Sliding Door Base Models BR48 and BR96



### Sliding Doors

Base Model	Length	Doors	Weight
BR96	96"	4	510 lbs.



NOTE: Optional casters raise height 1" higher than wheel size. Optional 4" or 6" legs available.

This equipment is intended for use in an area where the ambient temperature typically does not exceed 75 °F.