

# Refrigerated Pizza Prep-Table

- Prep, store, and assemble pizzas with a refrigerated prep-table with granite top
- Create delicious pizzas without leaving a single workstation
- Improve kitchen flow and maintain organization
- Available in 2 and 3 door configurations
- Casters (2 locking) included for easy mobility



UCPP466-SS61A



UCPP488-SS61A

Model	Description	Voltage/Hz/Phase/Amps	Shipping Weight
UCPP466-SS61A	65" 2 Door Refrigerated Pizza Prep Table	115v / 60hz / 1 / 5	662 lb
UCPP488-SS61A	88" 3 Door Refrigerated Pizza Prep Table	115v / 60hz / 1 / 5	882 lb

### Specifications

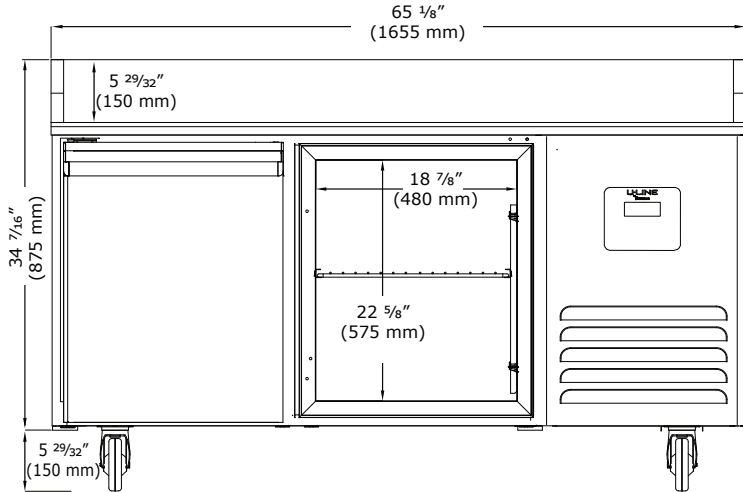
UCPP466-SS61A dimensions: 40 5/16" H x 65 1/8" W x 31 15/32" D	UCPP488-SS61A dimensions: 40 5/16" H x 88 3/8" W x 31 15/32" D
UCPP466-SS61A volume: 14 cu ft	UCPP488-SS61A volume: 21.89 cu ft
UCPP466-SS61A includes 2 epoxy coated wire shelves	UCPP488-SS61A includes 3 epoxy coated wire shelves
AISI 304 stainless steel interior and exterior with granite worktop, ETL sanitation certified	
Autodefrost	
CFC-free high-density polyurethane insulated cabinet	
Electronic digital temperature control with alarms	
Environmentally friendly R449a refrigerant: UCPP466-SS61A: 10.6 oz (0.280 kg) / CPP488: 17.5 oz (0.500 kg)	
Epoxy coated, sealed evaporator eliminates potential corrosion	
Factory pre-wired for dedicated outlet, 11 ft cord and plug included NEMA 5-15P	
Granite top assembly required	
High efficiency compressor, side mount	
Interior rounded corners for easy cleaning	
NSF/ANSI Standard 7 compliant	
Self-lubricating, sealed cast iron evaporator fan motor with high volume airflow design	
Temperature range: 28°F to 46°F	

Accessories	Description	Shipping Weight
ULA4082514	(1) Stainless steel shelf guide for prep tables, 24"	.88 lb
ULAQ32-4666-ETL	(1) Epoxy coated wire shelf, 17 7/8" x 25 7/8" for prep tables	2.2 lb

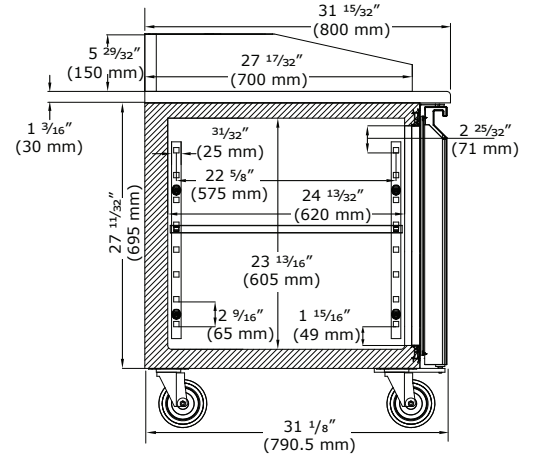


# Product Specifications • Refrigerated Pizza Prep Table

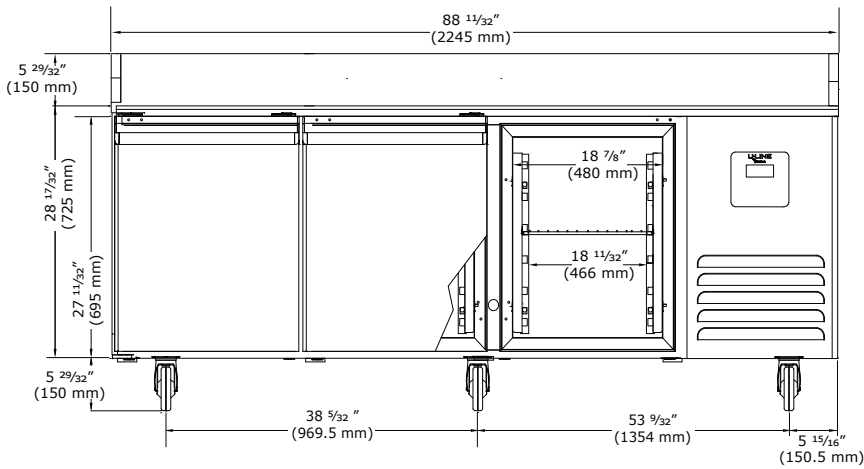
## Front (2 Door)



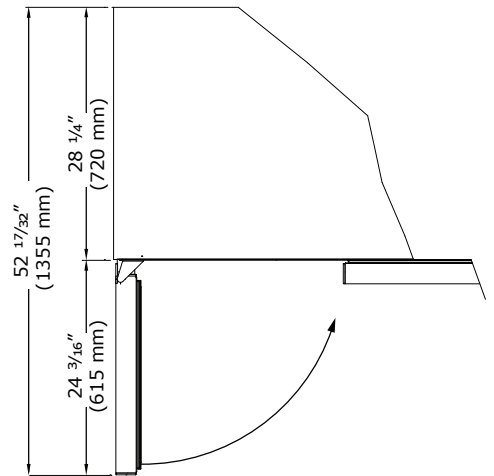
## Side



## Front (3 Door)



## Top



### Commercial Warranty

3 Year (parts & labor) / 5 year sealed system (parts)  
See complete warranty for details



Intertek