



ENDURO 250

POST-MIX ICE DRINK DISPENSER



FEATURES

Large ice capacity - 250 lb. ice capacity

Choices - Available with 8 UFB-1™ sanitary lever or push button valves

Merchandising - Illuminated merchandiser delivers unique, high impact marketing message

Ice - Gravity ice dispensing with positive shut-off provides excellent ice targeting
Ice used to cool cold plate is separate from ice dispensed into cups

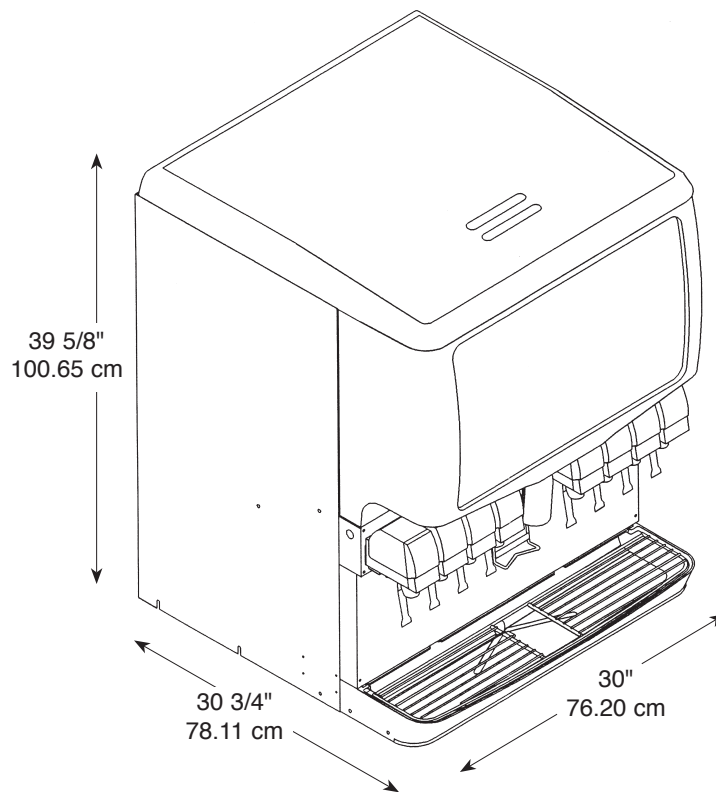
Durable – easily changes from carbonated to non-carbonated One piece ABS thermoformed plastic (Durabide™ design) provides durability and ensures all ice in hopper is dispensable

Flexible - Unit readily accepts top mount cubers with manual ice fill capability

Quality - Stainless steel cabinet

Ease of Use - Modular design allows for easy component access from the front of the unit

TotalFlex™ – easily changes from carbonated to non-carbonated



PART NUMBER	DESCRIPTION
621052807	Ice Drink Dispenser with 8 UFB-1™ 2-4 oz Sanitary Lever valves
0528552	Ice Drink Dispenser with 8 UFB-1™ 2-4 oz Push Button valves
621052806	Ice Drink Dispenser with 10 UFB-1™ 2-4 oz Sanitary Lever valves
0528452	Ice Drink Dispenser with 10 UFB-1™ 2-4 oz Push Button valves
3473	Drink dispenser stand Dimensions: 30"H x 30"W x 30"D

* If top mounting an ice maker, an ice maker adapter kit is required. Order separately.

TECHNICAL SPECIFICATIONS

ICE STORAGE CAPACITY 250 lb (113.40 kg)

ICE BEVERAGE MANIFOLDING . . . TotalFlex

CUP CLEARANCE 10" (25.4 cm)

COOLING CAPACITY 10-12oz drinks/min
@ 75°F




GRAPHIC DIMENSIONS Overall:
15.083"H x 24.79"W
Viewable:
14.59"H x 24.17"W

STANDARD FEATURES Beverage key switch,
Timed ice agitation
and 4" legs

DRAIN CONNECTION 0.75" PVC (NPT) or
1" ID flexible tubing

ELECTRICAL RATING 115 V / 60 Hz / 3.5 Amps

SHIPPING WEIGHT 340 lb (154.22 kg)

AGENCY LISTINGS   
City of Los Angeles

