



The Legacy Companies
 3355 Enterprise Avenue, Suite 160, Fort Lauderdale, FL 33331
 Sales: (954) 202-7419 • Sales@TheLegacyCompanies.com

Project Name: _____
 Location: _____
 Item #: _____ Qty: _____
 Model: _____

XC-60 / XC-60-T

POTATO & VEGETABLE PEELER- FLOOR TYPE

There's no substitute for quality ---- in food or in finer machinery.

50-60lb capacity removes the thin outer skin of vegetables and saves all of the food value and flavor. Blakeslee's potato and vegetable peelers give you more for your dollar. They're built solid. Each component is perfectly honed and engineered to last for years. Blakeslee has built into our peelers extra protection for parts, greater safety for the operator, and superior construction for a unit that's built to last. This model includes a Stainless Steel Peel Trap. * The T in the model number indicates a TIMER is included with this model.

FEATURES

- Easy to clean
- Adjustable 5-minute timer
- Cast aluminum discharge chute
- Triple V-belt
- Motor and Drive unit sealed off against moisture to assure trouble free performance
- Stainless steel strainer basket



CAPACITY

- 50lbs(23kg) - 60lbs(27kg) in 1-3mins
- Serves 180-200 people per cycle when potatoes are mashed in Blakeslee food mixer

CONSTRUCTION & FINISH

- Stainless steel unit
- Easy to clean aluminum hinged door
- Light weight molded polystyrene removable cover
- Adjustable peeling chamber for ease of use

DISCHARGE CHUTE

- Rust-proof and easy-to-clean aluminum
- Hinged door, no gasket, for fingertips is all that is required to open and close door
- Trough is in the discharge chute to catch seepage returning it to the machine
- Trough and door without a gasket eliminates problems of a gasket wearing out and water seeping past the door
- Self-closing door when released from open position
- Discharge chute is 37"(940mm) to 39.5"(1050mm) from floor based on adjustment of feet

MOTORS

- 1 HP
- 115-230v/60/1 or 208-220v/60/3
- Greased packed, ball bearing ventilated motor
- Cord and plug included

SWITCH & TIMER

- Toggle switch on 3-phase models
- Timer range from 0 to 5 mins

DRIVE

- Triple V-Belt drive provides speed reduction between motor and abrasive peeling disc for efficient peeling action
- Standard size V-belt for easy replacement
- Adjustment and replacing of belt without dismantling machine
- Stainless steel drive shaft
- Design and construction machine and seal system insures water-tight drive area

ABRASIVE DISC

- Rustproof cast aluminum abrasive peeling disc are included
- Abrasive carborundum is permanently cast into disc
- Light in weight for easy removal

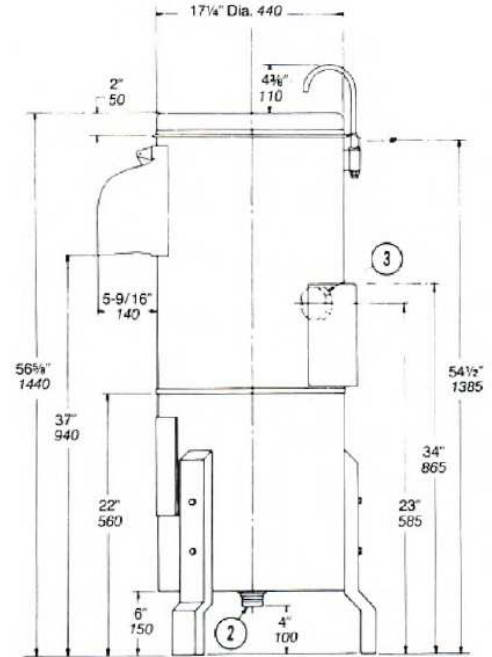
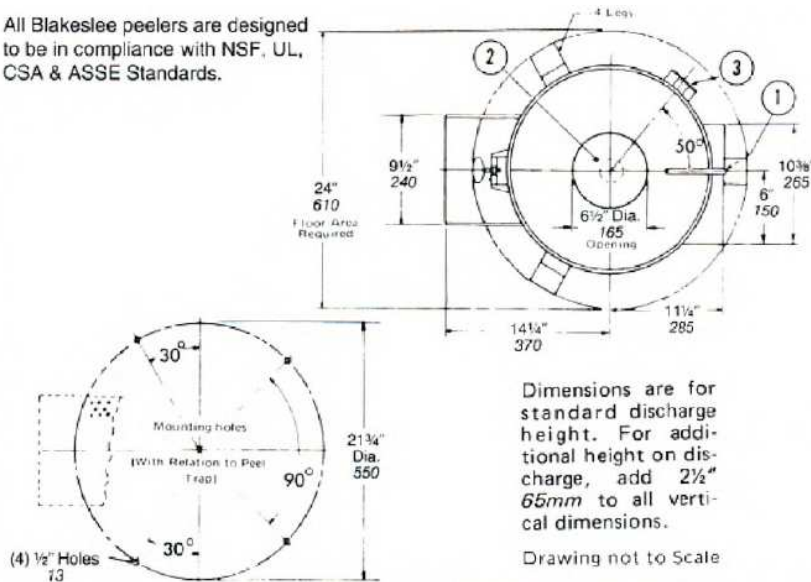
PEEL TRAP

- Stainless steel peel trap strainer basket

Due to periodic changes in designs, methods, procedures, policies and regulations, the specifications contained in this sheet are subject to change without notice. While we exercise good faith efforts to provide information that is accurate, we are not responsible for errors or omissions in information provided or conclusions reached as a result of using the specifications. By using the information provided, the user assumes all risks in connection with such use.

POTATO & VEGETABLE PEELER- FLOOR TYPE

All Blakeslee peelers are designed to be in compliance with NSF, UL, CSA & ASSE Standards.



NO.	CONNECTION	FITTING	FUNCTION
1	Cold Water	1/2" (13mm) I.P.S	Peel Flushing Spray
2	Waste-Sewer	2" (50mm) N.P.T.	Cylinder Drain
3	Electrical	1 HP Motor	3- wire 3" (75mm) Electrical Box

General Notes

Model XC-60T- Furnished with 0-5 minute adjustable timer and a "hold" for continuous operation. (Single phase only)

Model XC-60- Furnished with "on and off" switch in lieu of timer (Single or 3 phase).

APPROXIMATE SHIPPING SPECIFICATIONS

MODEL	Domestic Crated	Export Boxed	Export Cubed	Weight	Dimensions
XC-60	205lbs / 93kg	256lbs / 116kg	11.3ft / 0.32m ³	136lbs / 61kg	32"(813mm) x 29"(736mm) x 62" (1575mm)