



Viper™ 4 Flavor Frozen Dispenser - Tall

Specification Guide

VIPER™



Features

High Capacity

Surge capacity dispensing 10 (16oz) consecutive drinks per barrel with a continuous draw capacity of 75-82 fl.oz per minute

Patented Intelligent Defrost™

Manages product quality and bypasses unnecessary defrost times

Defrost Lock-Out Times

Schedule defrost lockout times to avoid down time during peak demand periods

Sleep Mode

Schedule sleep modes to conserve energy during off hours

Remote Condenser

Remote and air-cooled condenser options available

QR Code

Quickly access service manuals and easy-to-follow training videos

C3 Technology

Cooling, carbonation, and controls provide unmatched drink profile consistency and minimizes syrup usage

Serviceability

Reduced maintenance and service times with a 0.3% out of the box failure rate

Programmable Flavor Barrels

Individual barrel flexibility and profile settings

ADA Compliant

Stainless push handle valve



MARMON
Foodservice
Technologies

A BERKSHIRE HATHAWAY COMPANY



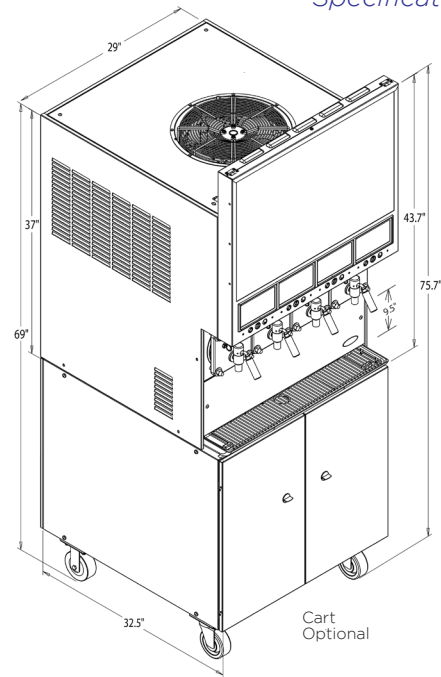
Viper™

4 Flavor Frozen Dispenser - Tall

Specification Guide

Technical Specifications

Electrical Requirements	230V +/- 15V 60Hz, 30a, Single phase <i>Includes 8ft. power NEMA L6-30P molded plug connection. Part Numbers ending in "EU" SKU's include 8ft. power cord IEC60309 32Amp molded plug connections</i>
Pressure Requirements	CO2 = 75 psig Water = 25 min psig dynamic
Draw Capacity	75-82 oz/min continuous, alternating barrels @ 75° F (24°C)
Refrigeration	19,000 BTU, R448A
Minimum Clearance Requirements	Top: 12" (305mm) Both Sides: 2" (51mm) -or- Back: 2" (51mm) <i>for temperatures < 90°F (32°C)</i>
Unit Dimensions	29"W x 32.5"D x 43.7"H (577.85mm x 825.5mm x 1110mm)
Graphic Card Dimensions	28.75"W x 18.75"H (730.25mm x 476.25mm)
Flavor Card Dimensions	6.5"W x 4"H (165.1mm x 101.6mm)
Unit Weight	475lbs (215.5kg)
Shipping Weight	Unit: 500lbs (226.8kg) Cart: 200 lbs (90.7kg)
Agency Listing	



Model Number	Description
621466142	Viper 4 Barrel, 60Hz, R448A, Air Cooled, Stainless Push Handle Valve (SPH), Tall Merchandiser, N. American Power Cord
621466042	Viper 4 Barrel, 60Hz, R448A, Air Cooled, Motorman Valve, Tall Merchandiser, N. American Power Cord

*Not all configurations are available - please contact a Cornelius® expert for additional information
For FUB, Motorman Valves are recommended
Note: When ordering the Remote Condensing Dispenser, the corresponding accessory below (marked with') must also be ordered. Additionally, one of the 2 line set options (marked with**) must also be ordered*

Accessories Number	Description
629087406	Leg kit, 4" legs adjustable to 5.25"
620046556	Viper 4 barrel cart, stainless steel
620046477	Viper 4 barrel generic graphic for tall merchandiser
620042868	Generic flavor card set (includes 18 flavors)
620051378	Coke flavor card set
620051379	Pepsi flavor card set
620067479	Pre-wired buck boost transformer
620067108	Remote condenser unit'
620071967	50ft Line Set (1) 3/8" and (1) 1/2"***
620071969	100ft Line Set (1) 3/8" (1) 1/2"**
629096929	Viper 4 flavor installation kit
326002000	Drain kit for drip tray

*Refer to Installation Manual for required installation materials - A Buck/Boost transformer is recommended for most installations
Note: When ordering the Remote Condensing Dispenser, the corresponding accessory above (marked with') must also be ordered. Additionally, one of the 2 line set options (marked with**) must also be ordered.*

To learn more and see Viper™ in action, visit cornelius.com
To contact a Cornelius® expert today, visit cornelius.com/contact-us