



Project \_\_\_\_\_  
 Item # \_\_\_\_\_  
 Quantity \_\_\_\_\_

## Accelmix™ 68 oz Commercial Blender with Paddle Controls

Model: XLB-1000

The 68 oz (2 liters) extra-large capacity commercial-grade blender features a high-performance motor with impact-resistant stainless steel blades, adding power and performance to your busy establishment.

### Standard Features

- ◆ Removable container cover and cap for adding/blending ingredients mid-cycle
- ◆ All parts (except base and blade fixing block) are dishwasher safe
- ◆ 68 oz (2 L), break-resistant and BPA-free Tritan™ container
- ◆ High-performance 2 hp motor; unique high-impact blades
- ◆ Metal-to-metal coupling; easy to operate "PULSE" and "ON /OFF" paddle controls & variable speed control dial
- ◆ Container/pitcher is heat-resistant up to 226°F (108°C); reduce pressure by removing cap in the lid
- ◆ 11-1/2" tamper included – fits through lid opening and reaches full length of container to blend/stir while mixing
- ◆ ETL listed for electrical safety and sanitation in US and Canada, conforms to UL-197 and CSA C22.2
- ◆ One year parts and labor warranty

### Parts & Accessories

ITEM	DESCRIPTION	UOM	CASE
XLB1000P1	Rod Set	Each	1
XLB1000P2	Pitcher Assembly	Each	1
XLB1000P4	Refilling Cap	Each	1
XLB1000P5	Blade Assembly	Each	1
XLB1000P10	Mushroom Head Fitting	Each	1
XLB1000P11	68 oz Pitcher	Each	1



**ACCELMIX™**  
by Winco®

XLB-1000



**BPA FREE** TRITAN™ CONTAINER

Winco®, DWL International Trading, LLC

www.wincous.com  
 equipmentsales@wincous.com

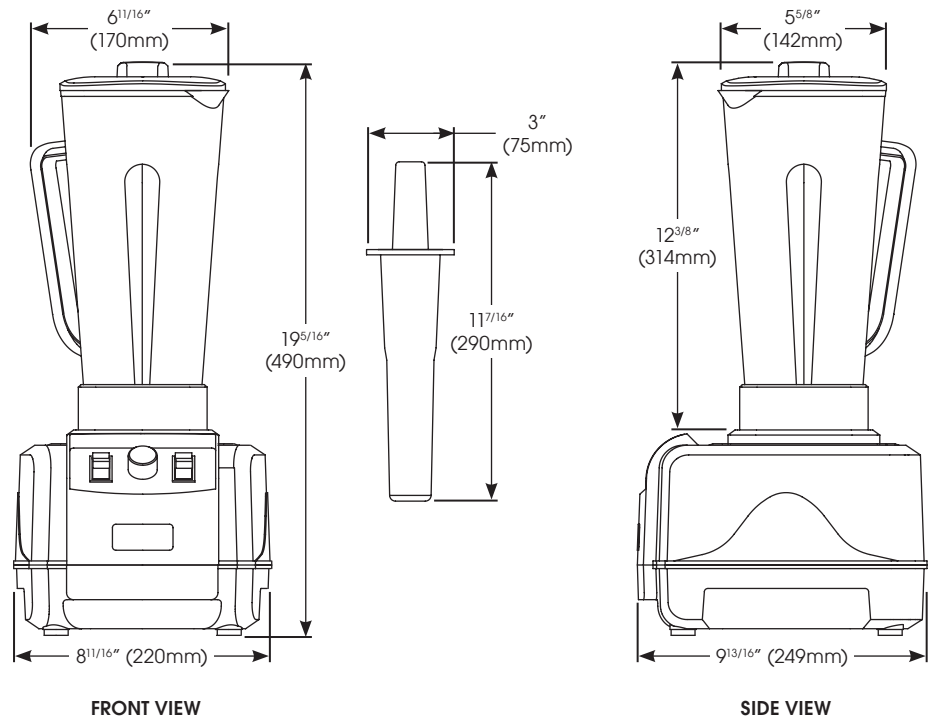
**East Coast:** 65 Industrial Road, Lodi, NJ 07644  
 Tel. 1.888.946.2682 | Fax: 1.888.946.2632

**West Coast:** 14950-14952 Valley View Avenue, La Mirada, CA 90638  
 Tel. 1.888.946.2652 | Fax: 1.562.926.5678



# Accelmix™ 68 oz Commercial Blender with Paddle Controls

Model: XLB-1000



## Specifications

MODEL	DESCRIPTION	OVERALL DIMENSIONS			VOLTS	HZ	WATTS	AMPS	PLUG	SHIP WEIGHT
		WIDTH	DEPTH	HEIGHT						
XLB-1000	68 oz (2 L) Accelmix™ Blender	8-11/16" (220mm)	9-13/16" (249mm)	19-5/16" (490mm)	120	60	1450	12.1	NEMA 5-15P	10.36 lbs (4.7 kgs)
		CONTAINER DIMENSIONS								
		6-11/16" (178mm)	6-11/16" (178mm)	12-3/8" (314mm)						

## Container Capacity

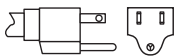
68 oz (2 liters)

## Cord Location

Bottom of base, wraps to back right

## Plug Configuration

NEMA 5-15P



## Product Specs

### Accelmix™ 68 oz Commercial Blender with Paddle Controls

The ACCELMIX™ 68 oz Commercial Blender model XLB-1000, manufactured by Winco®, Lodi, NJ 07644.

The Commercial Blender with Paddle Controls shall be rated at 120V~60Hz, 1450 watts. It shall consist of one (1) 68 oz break-resistant, BPA-free Tritan™ container with removable cover and cap, 11-1/2" tamper, "PULSE" and "ON /OFF" paddle controls with variable speed control dial.

High-performance 2 hp motor, unique high-impact blades, and metal-to-metal coupling.

ETL listed for electrical safety and sanitation in US and Canada, conforms to UL-197 and CSA C22.2.

Warranty consists of one year parts and labor.

## Winco®, DWL International Trading, LLC

www.wincous.com  
equipsales@wincous.com

**East Coast:** 65 Industrial Road, Lodi, NJ 07644  
Tel. 1.888.946.2682 | Fax: 1.888.946.2632

**West Coast:** 14950-14952 Valley View Avenue, La Mirada, CA 90638  
Tel. 1.888.946.2652 | Fax: 1.562.926.5678