

# BLUELAA



Waste Tray

Oil Tray

Knobs



## GRIDDLE BLGM12- 20D

### PRODUCT DESCRIPTION

-  29,000 BTU per Burner with Ever-Ready Pilots.
-  29,000 BTU Burners per 12" section with standby pilots.
-  3/4" Stainless Steel Griddle Plate .
-  Adjustable, stainless steel legs standard.
-  Griddles set up as NG standard. LP conversion kits are included with each Griddle.
-  Full length seamless drip pan, easy to remove and clean.
-  High Quality Stainless Steel Construction

MODEL#

DIMENSIONS

Width Depth Height

BLGM12-20D

12 in

30 in

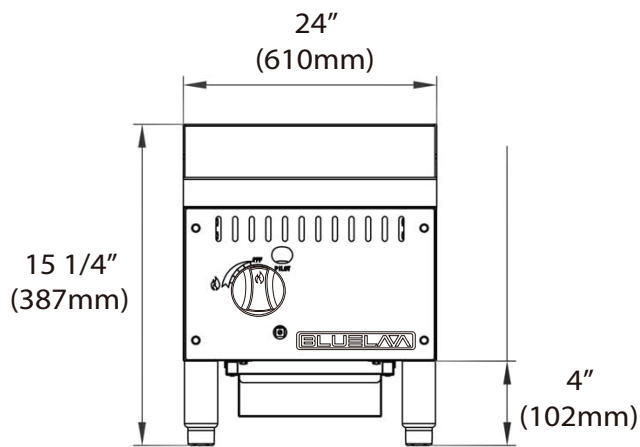
15 1/4 in

\* All measurement are presented in Inches

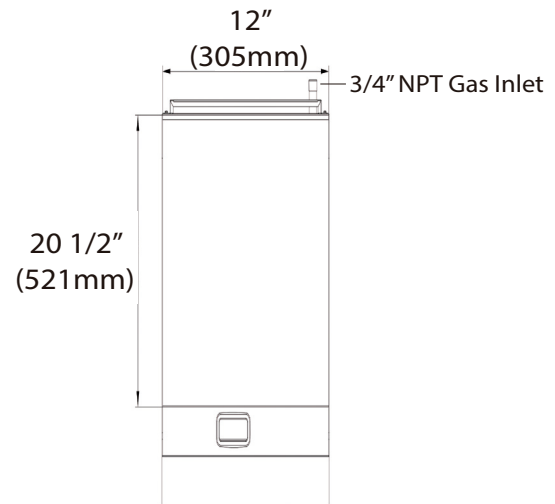


# DETAILS & SPECIFICATIONS

## GRIDDLE BLGM12-20D

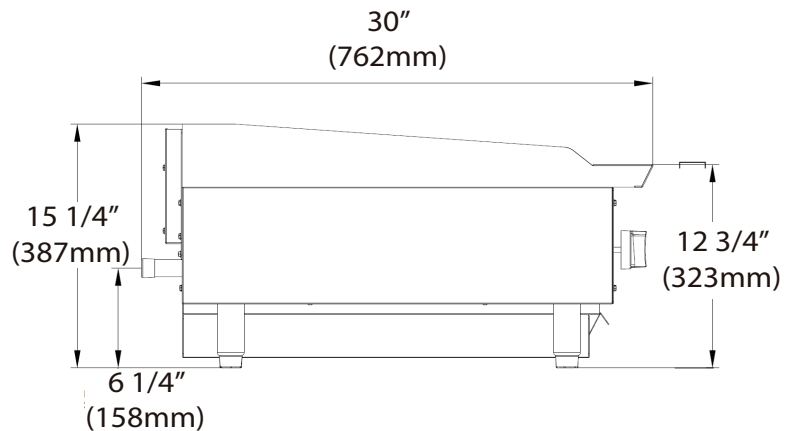


Front View



Top View

BLGM12- 20D	
GAS	NG/Propane
WORK AREA	23.86" x 20.50"
BURNERS	1
BTU/H PER BURNER	29000
TOTAL BTU	29000
GAS PRESSURE	NG: 4" WC Propane: 10" WC
NOZZLE	NG: 37# Propane: 51#
CONTAINER FITMENT	220



Side View

Model	Packaging Dimensions (inches)			Net Weight (lbs)	Ship Weight (lbs)
	W	D	H		
BLGM24-20D	14 1/8"	32 5/8"	18 7/8"	124	139

**BLUELVA**

orders@blueairfse.com



223 W. Rosecrans Ave., CA 90248

9 W. Shelton Terrace #A, Hillside, NJ 07205

7025 Amwiler industrial Drive, Suite A, Atlanta GA



T: 310-808-0102

T: 908-688-0970

T: 470-625-0182