

Champion®

The Dishwashing Machine Specialists

PROJECT: _____

ITEM # _____ QTY: _____

MODEL # _____

AIA # _____ SIS # _____

UH 130B MAX

UNDERCOUNTER HIGH TEMPERATURE



Rendered image is for general visual representation only. Please refer to specifications for the latest detailed product information.

OPTIONS & ACCESSORIES

- Additional Dish Racks
- 17" Stand Stainless Steel
- 8" Leg Stand (see undercounter accessories for more detail)
- 9kW High Speed Booster
- 3 Phase Connection (prewired at factory)
- 1" Roller Kit (includes 4 casters)
- Power cord kit
- Chemical alarm kit (mounted)
- Drain water tempering kit (unmounted)
- Champion ION scale prevention system

STANDARD FEATURES

- **Multi-Level Racking System** allows for maximum flexibility and increases wares capacity simultaneously washing dishes, cutlery and utensils
- **Wash Refresh** – Automatically drains the water for the next cycle, ensuring heavily soiled wares are washed with new fresh water
- **Energy Star® Certified**
- **Multi Power** – this model is 208-240 volts and can convert from single to three phase in-field with ease. This "all-in-one" machine is for all applications
- **StemSure™** – Soft start to protect glasses and dishes from chipping and breaking
- **Rinse Sentry** – extends the cycle time to ensure 180°F+ (82°C) final rinse
- **Extended Wash Button** ensures stubborn residues are removed
- **Built-In Electric Booster**
- **2 kW Tank Heater** maintains optimum wash temperatures
- **316 Stainless Steel Tank** for improved corrosion resistance, an industry exclusive, all 130, 230 and 330 tanks are stainless steel
- **15-3/4" Overall Chamber Height With Two Interior Racks**
- **Quiet Double - Wall Construction**
- **Pumped Drain**
- **Detergent And Rinse Pumps Standard**
- **Control Mounted Prime Switches For Chemical Pumps**
- **Pumped Final Rinse**
- **Stainless Steel Top & Sides Included**
- **High Pressure Wash Pump, 1 Hp**
- **Delime Feature Built Into Controls For Ease Of Use**
- **Service Diagnostics For Easy Troubleshooting**
- **Digital Controls**

SPECIFIER STATEMENT

Specified unit will be Champion model UH130B MAX multi-level racking system undercounter high temperature dishwashing machine with built-in booster heater. Features 288 second total cycle, Rinse Sentry, detergent and rinse aid pumps, stainless steel top and side panels. Constructed of stainless steel.

1 year parts and labor warranty.

Note: Vent hood is not recommended, as unit does not produce excessive steam.

Note: Always follow local building code guidelines.



In the USA:

3765 Champion Blvd, Winston-Salem, NC 27105
Tel: (336) 661-1556 Fax: (336) 661-1979
www.championindustries.com

In Canada:

2674 N. Service Rd., Jordan Station, Ontario, Canada LORISO
Tel: (905) 562-4195 Fax: (905) 562-4618
www.championindustries.com/1canada

SPECIFICATIONS

Capacities

Racks per hr.	25
Cycle time (seconds)	288

Motor Horsepower

Wash	1
------	---

Water Consumption

U.S. Gal./Imperial Gal. (Max. use) per hr.	15/ 12.5
U.S. Gal./Imperial Gal. per rack	0.83/0.69

Temperature °F/°C

Wash	150/66
Rinse	180/82

Heating

Tank heat, electric, (kW)	2.0
Electric booster (kW) required for 70°F/39°C rise)	6
Electric high speed (kW) booster for 100°F rise)	9

Time Cycle in seconds

Wash	227
Rinse	19
Sanitary Dwell	42
Total cycle	288

Standard 20" x 20" Rack Complement

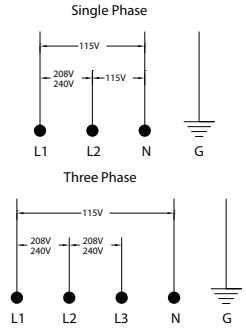
Dish	1
Open	1

UH130B MAX with 70°F/39°C Rise Booster, 6kW

Elec. Specs	Rated Amps	Minimum Supply Ckt. Conductor Ampacity	Maximum Overcurrent Protective Device
208/60/1	32	40	40
240/60/1	36	40	40
208/60/3	22	30	30
240/60/3	24	30	30

UH130B MAX W/ 9kW High Speed Rise Booster

Elec. Specs	Rated Amps	Minimum Supply Ckt. Conductor Ampacity	Maximum Overcurrent Protective Device
208/60/1	45	60	60
240/60/1	50	60	60
208/60/3	29	35	35
240/60/3	33	40	40



Utilities

Electrical

208-240/60/1; 3 wire plus ground, (See box).
208-240/60/3; 4 wire plus ground, (See box).
Field convertible to accept 3 phase power, see service manual for details

1 Hot Water

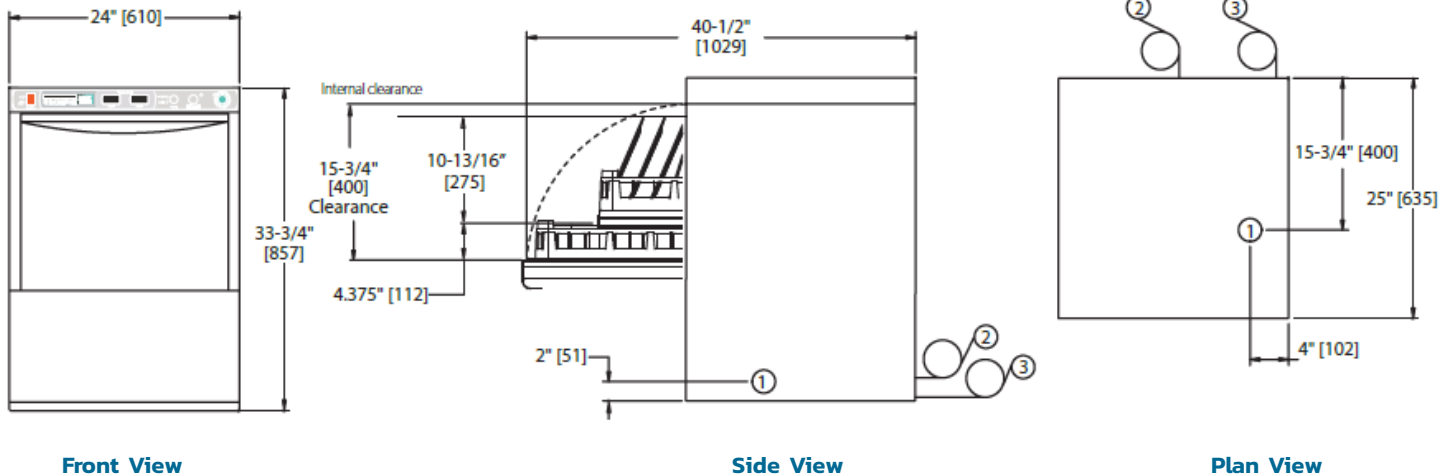
1/2" supply; 110°F/43°C Min. hot water connection for 70°F/39°C rise booster.
Machine equipped with 3/4" garden hose connection provided. Flow pressure: 25-95 psi.

3 Pumped Drain

5/8" [15.9] I.D. flexible reinforced hose, 6 ft. [1829] long.
Max. drain ow 15 US gpm. [12.5 imp gal] Max. drain height 3 ft. [914]

Complies with ANSI/ASSE 1004 Sections 1.4.3 & 1.4.4

Warning: Plumbing, electrical connections should be made by qualified personnel who will observe all the applicable plumbing, sanitary and safety codes and the National Electrical Code.



In the USA: 3765 Champion Blvd, Winston-Salem, NC 27105 | Tel: (336) 661-1556 Fax: (336) 661-1979 | www.championindustries.com

In Canada: 2674 N. Service Rd., Jordan Station, Ontario, Canada LORISO | Tel: (905) 562-4195 Fax: (905) 562-4618 | www.championindustries.com/1canada